



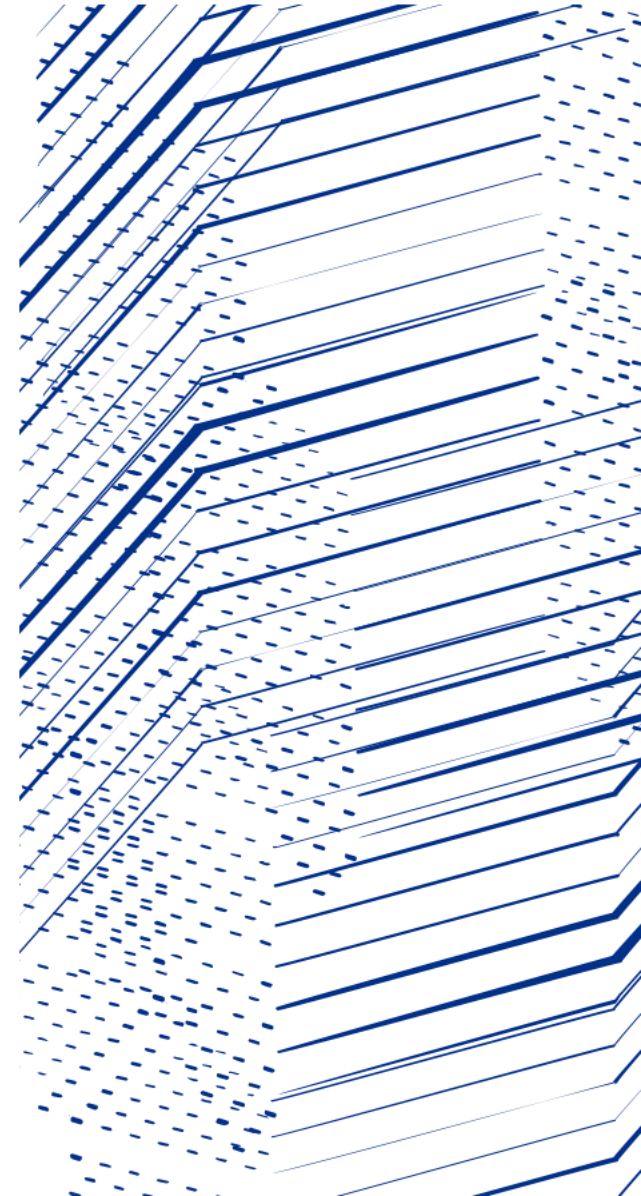
Science and
Technology
Facilities Council

ITRF Project

Mechanical Engineering Design

ITRF Target Chamber Discussion

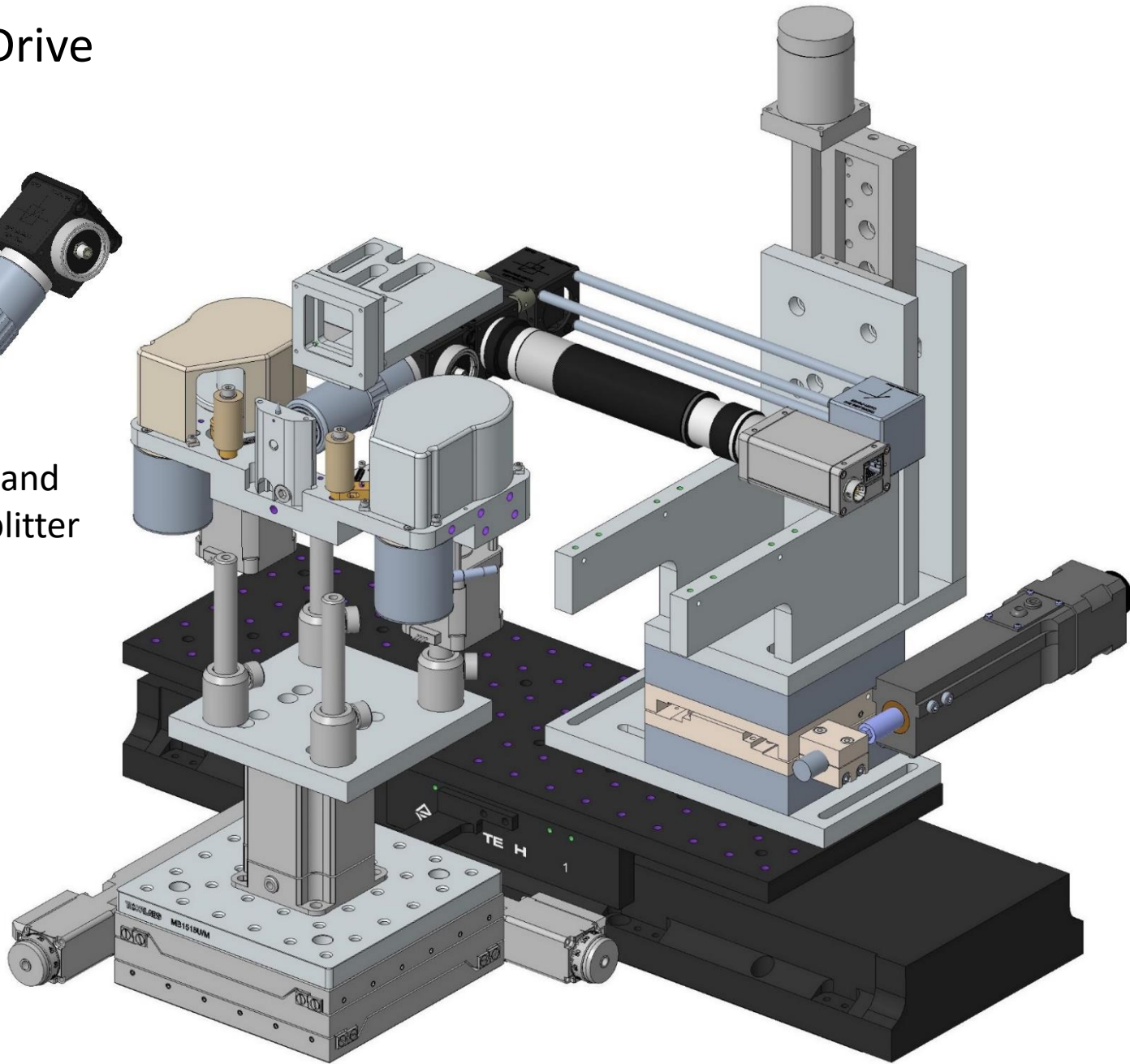
Clive Hill



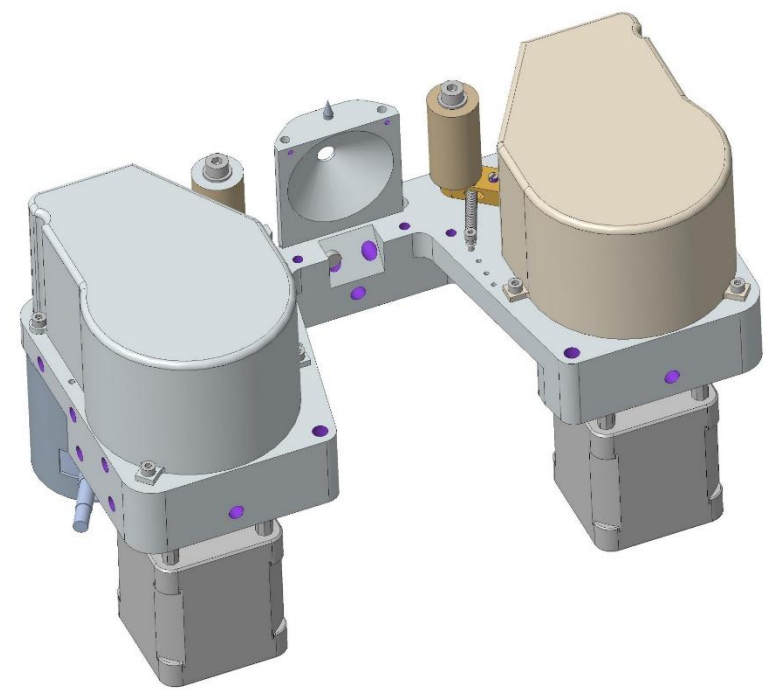
Tape Drive



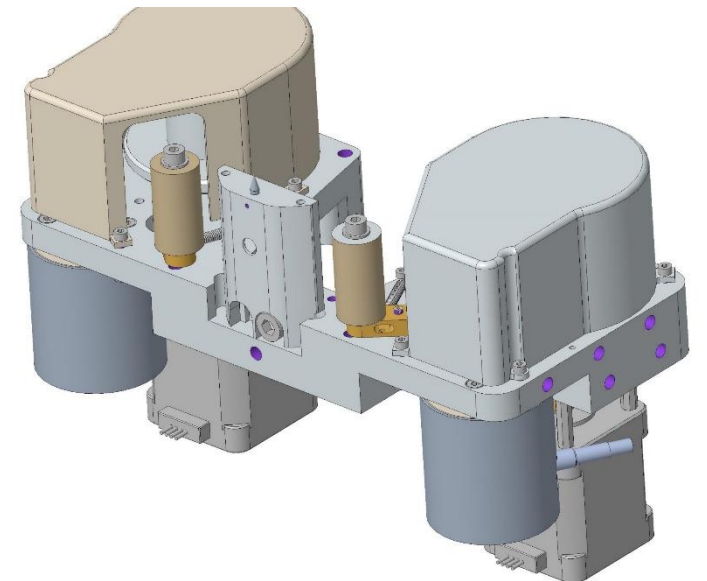
Camera and beam splitter



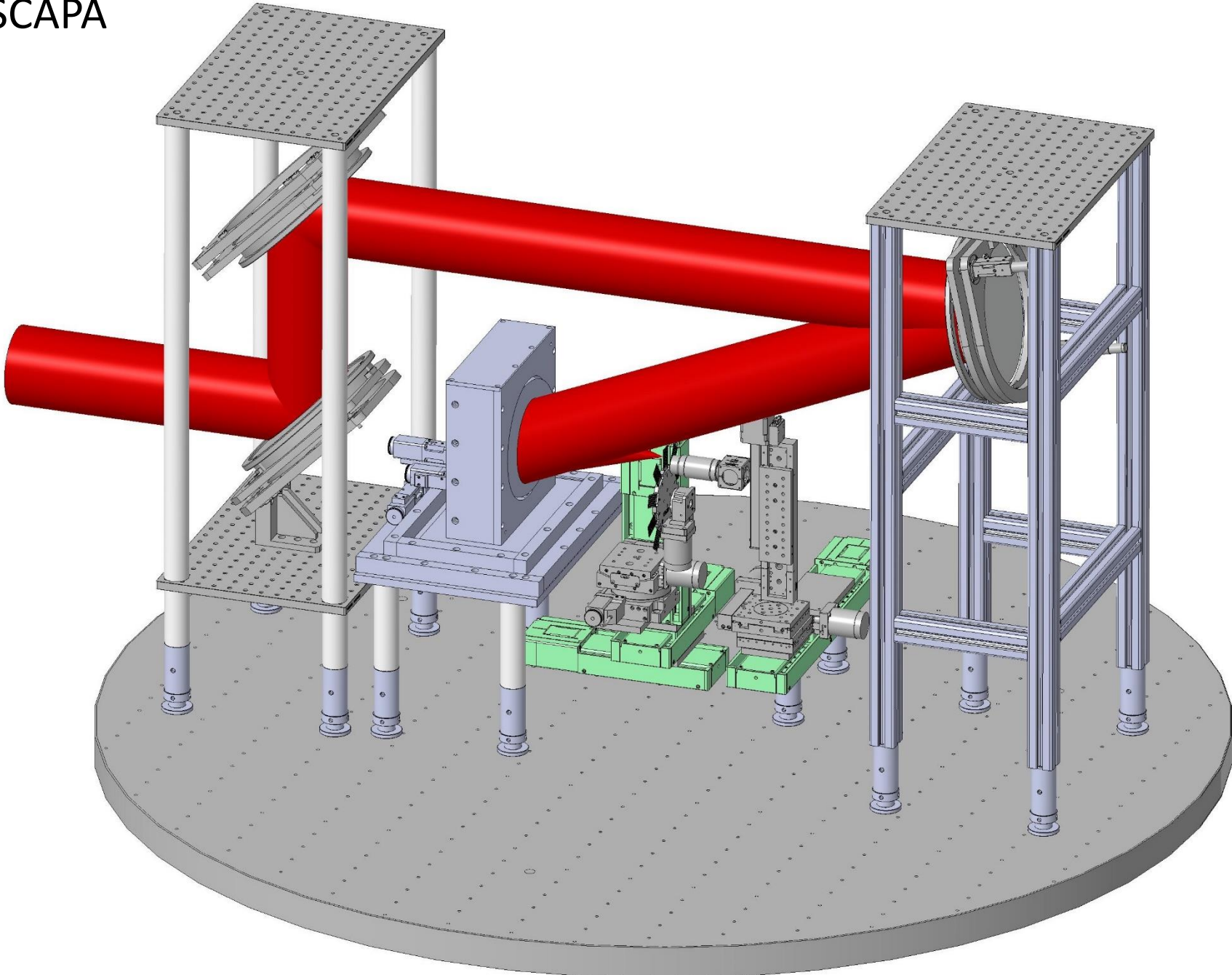
Used on Gemini Facility

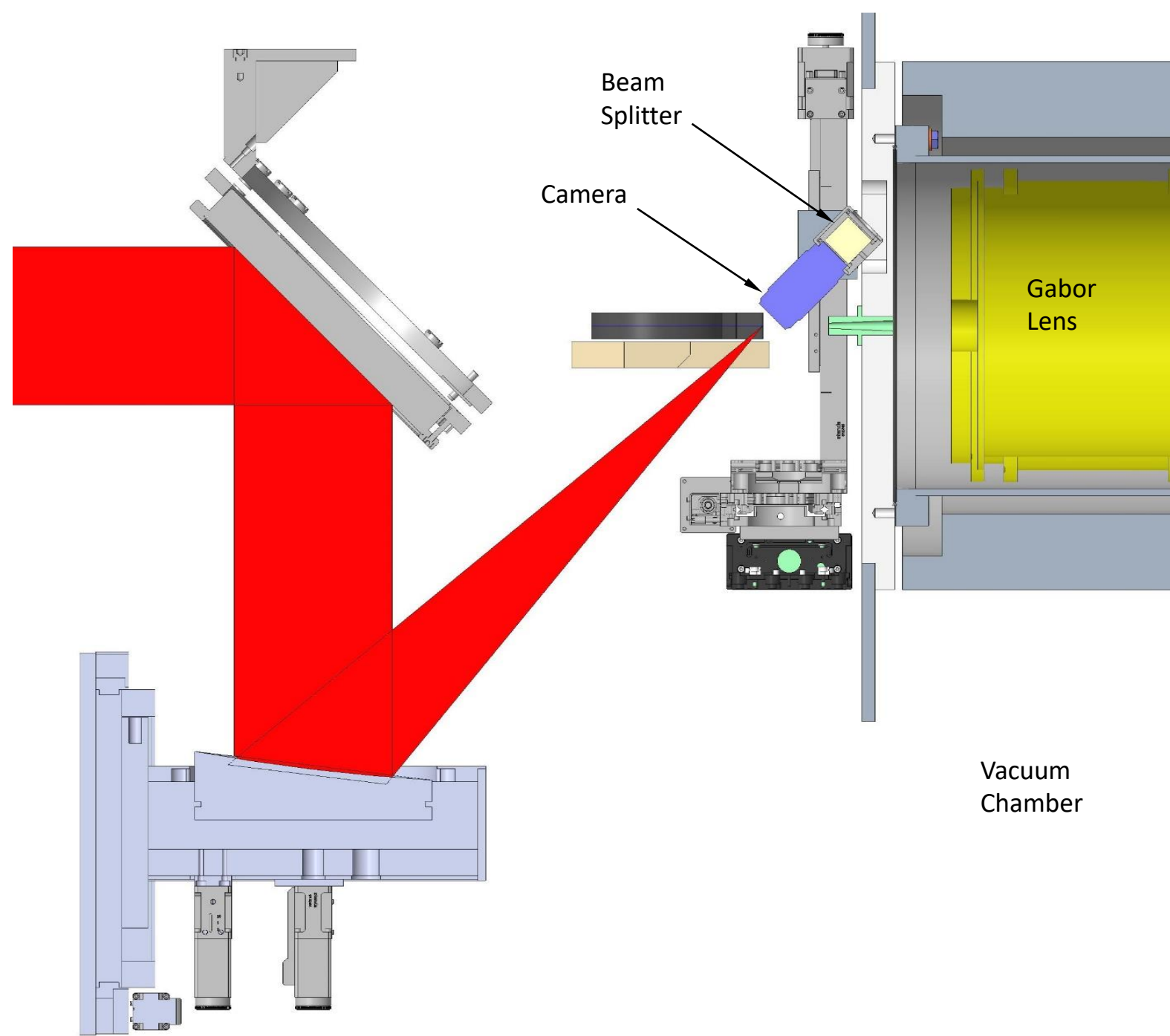


Tape Drive also used on SCAPA

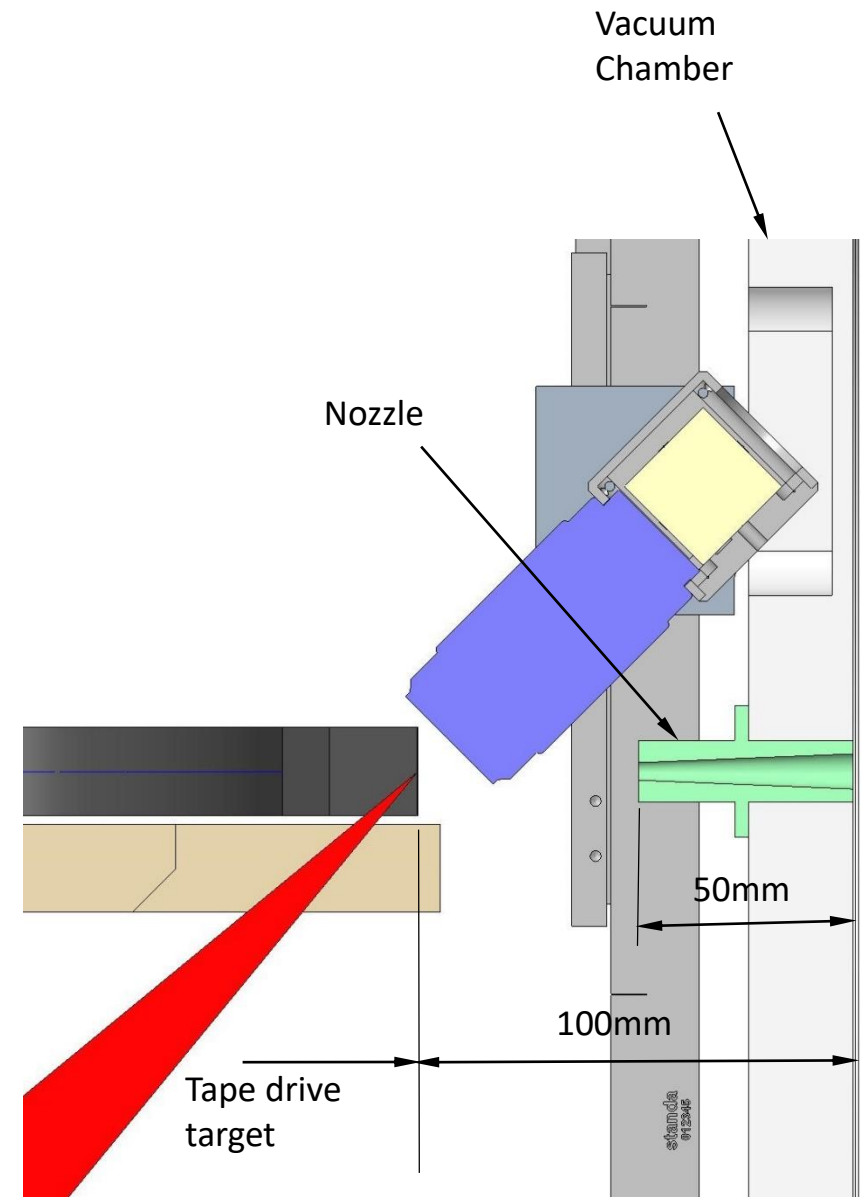


Target Set Up SCAPA

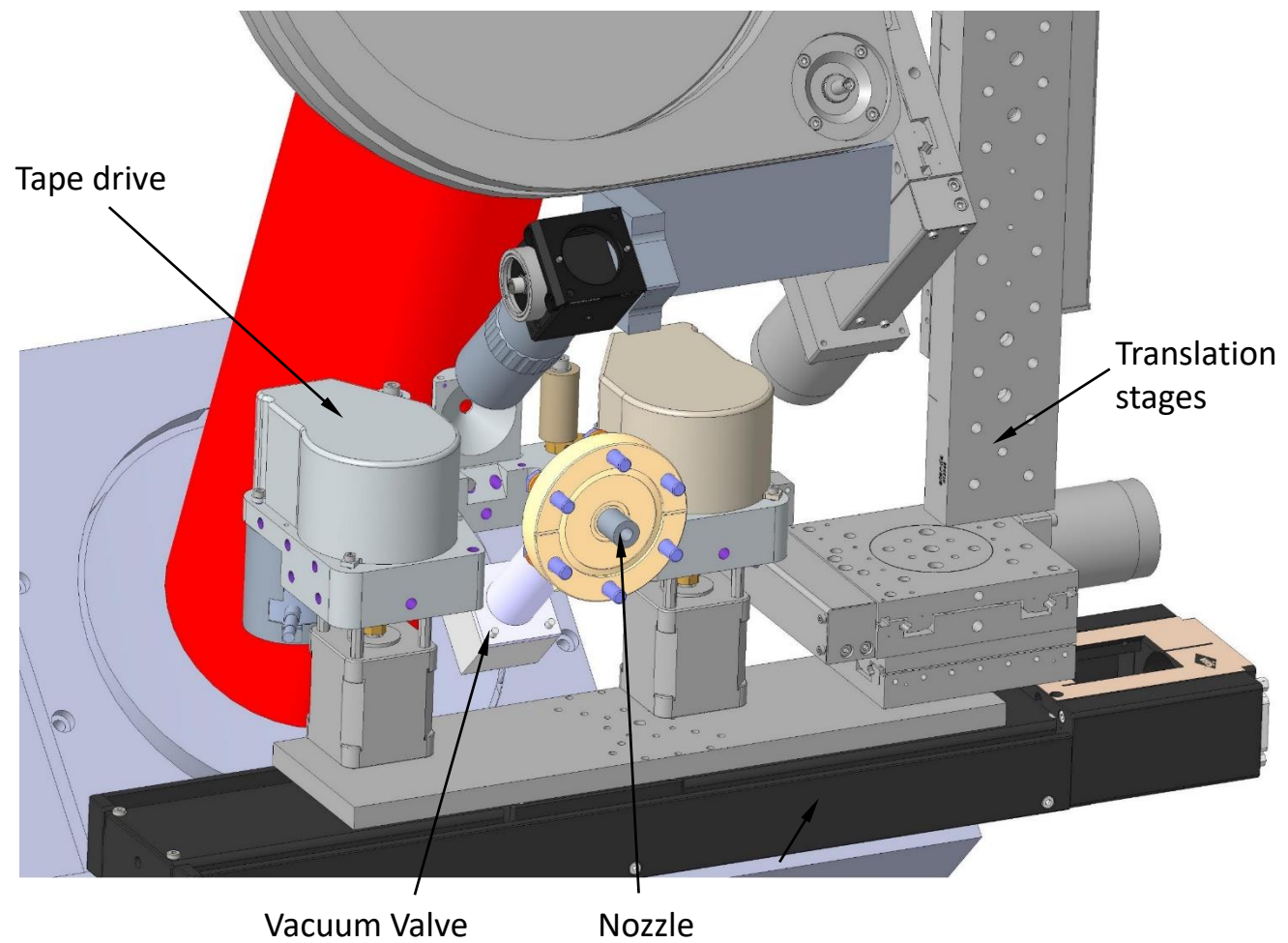
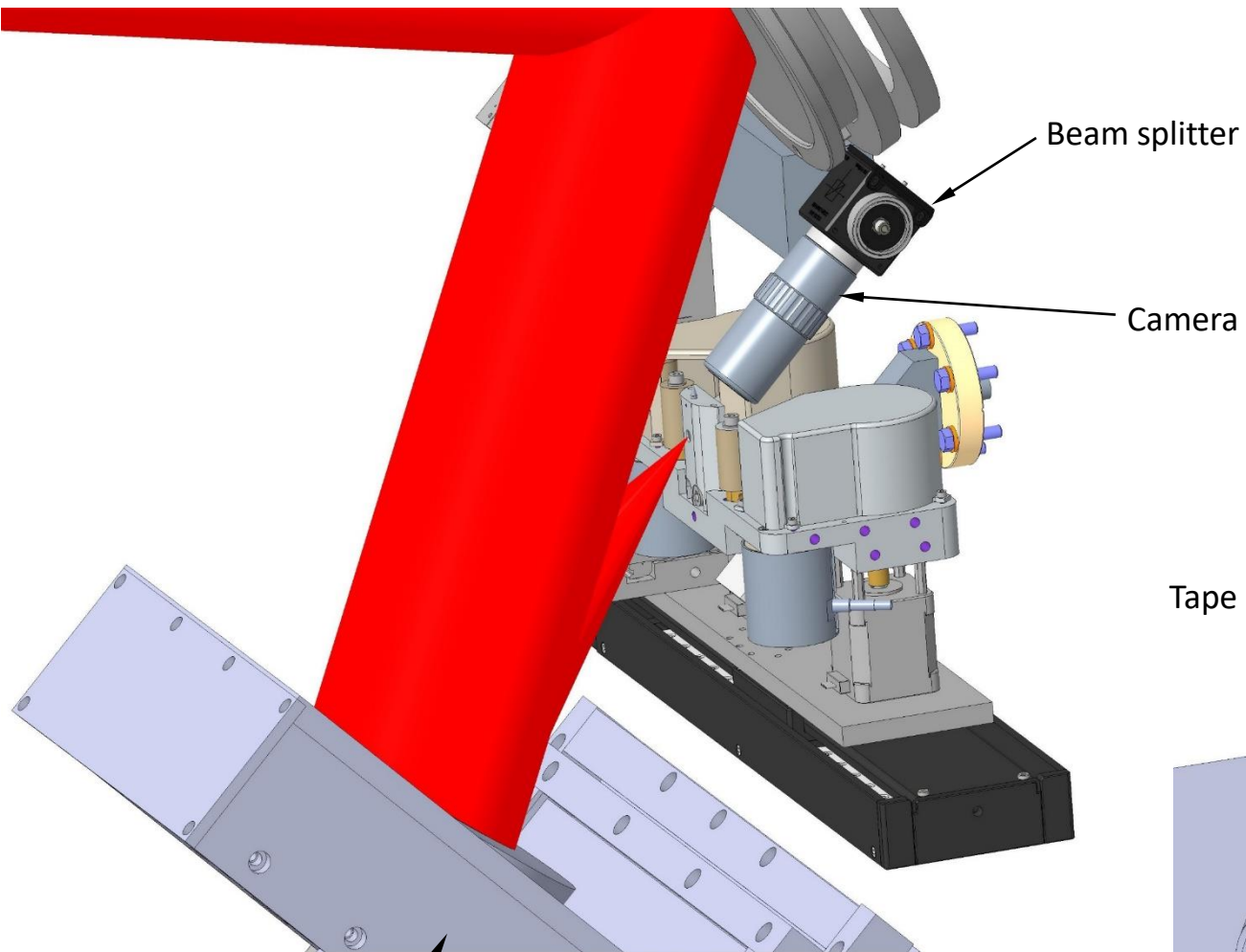


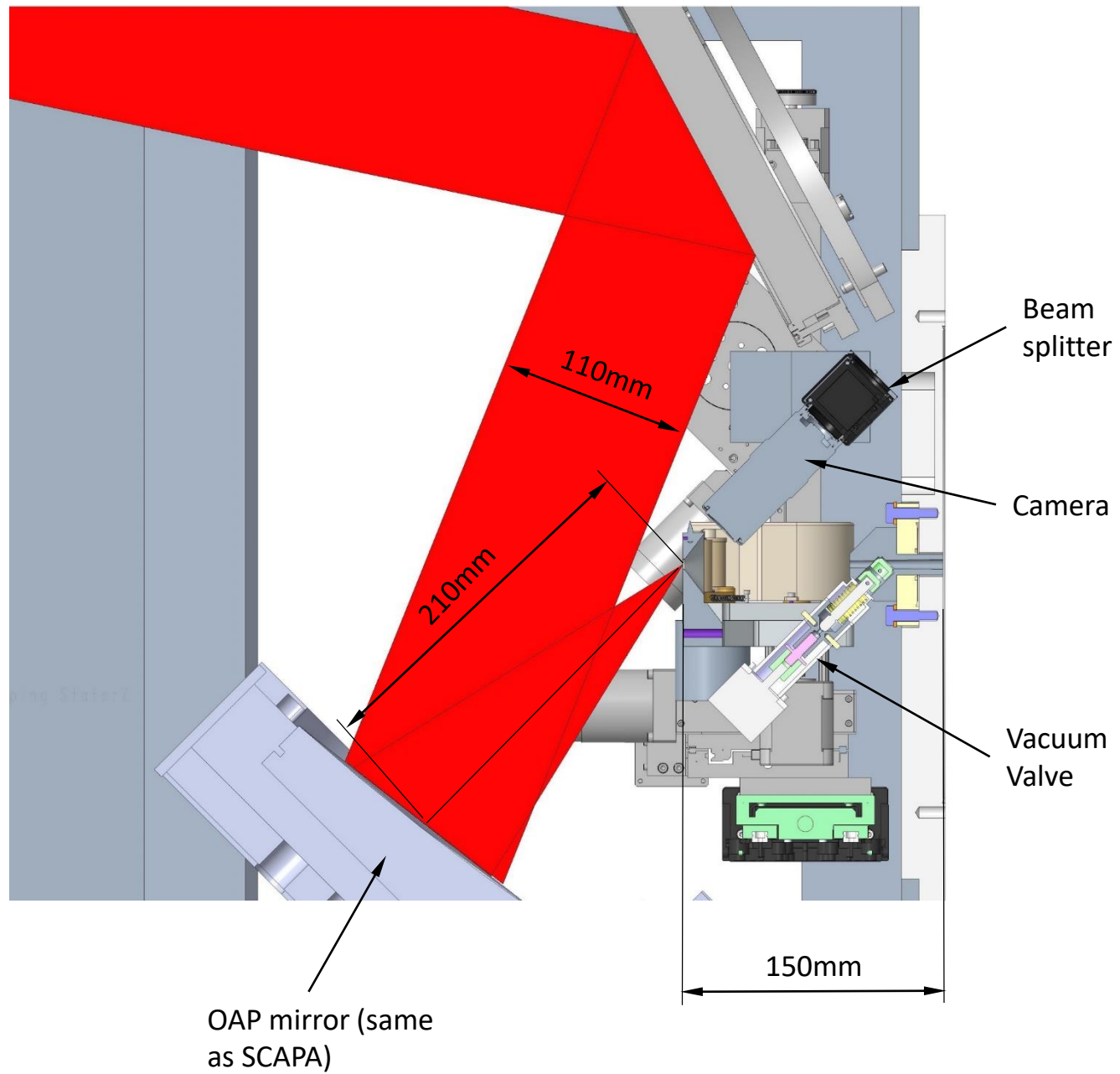
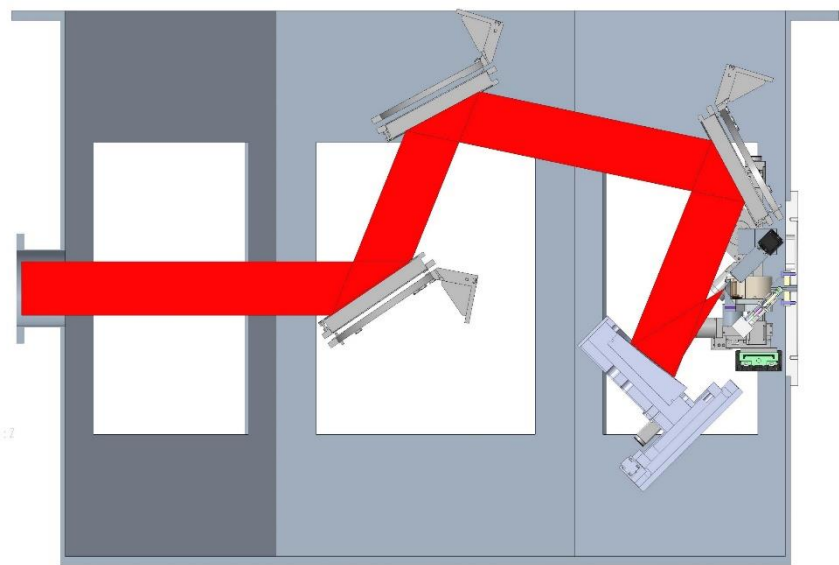
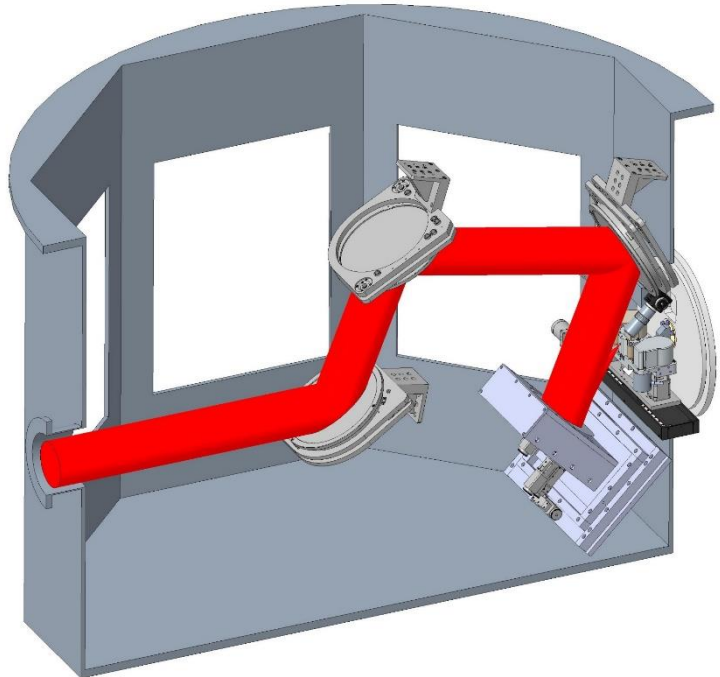


Target Chamber



Target Chamber





Vacuum Valve and Nozzle

