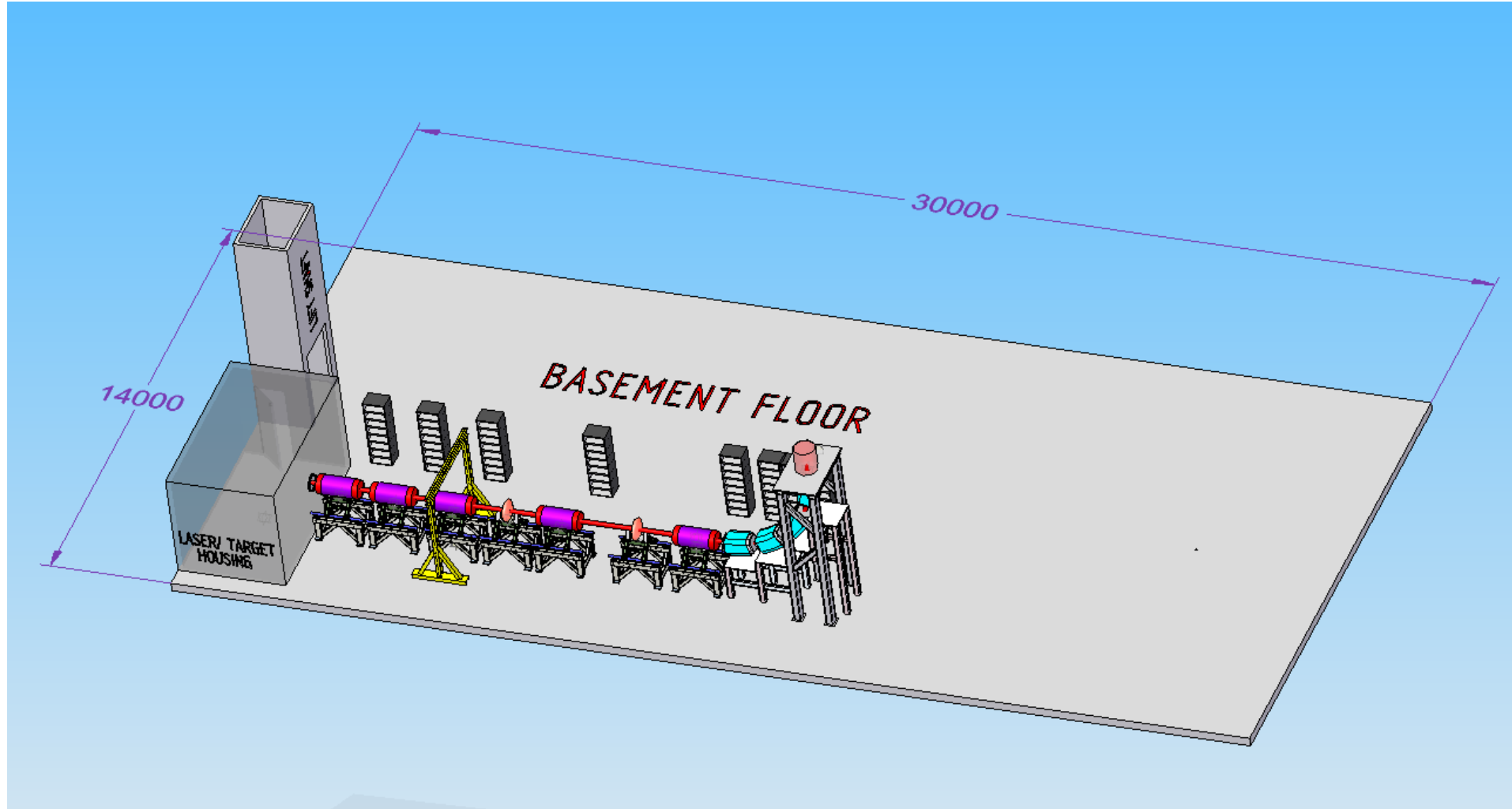


LhARA – CAD Scheme Final

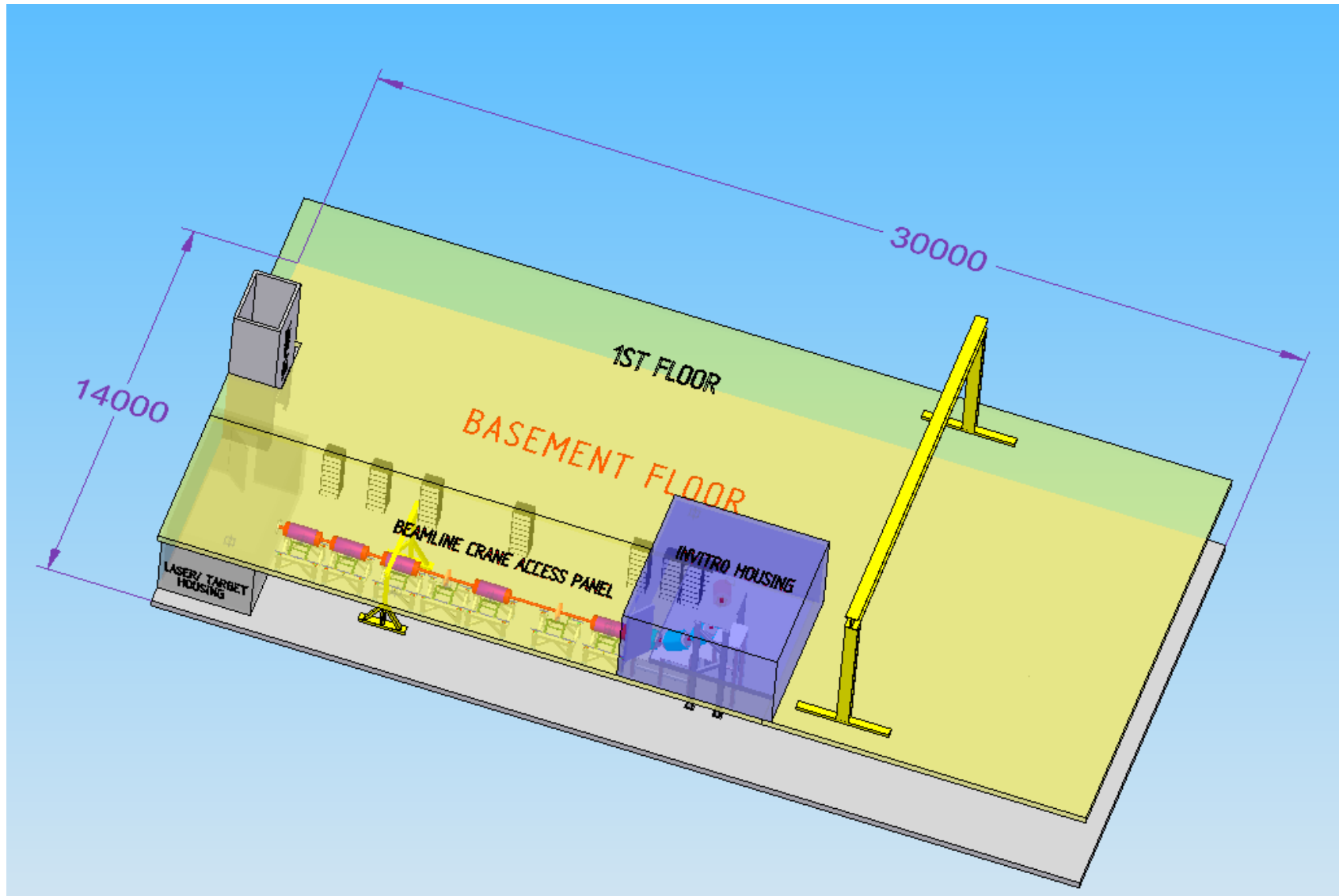
Floor Plan 30m x 14m

12/09/2019

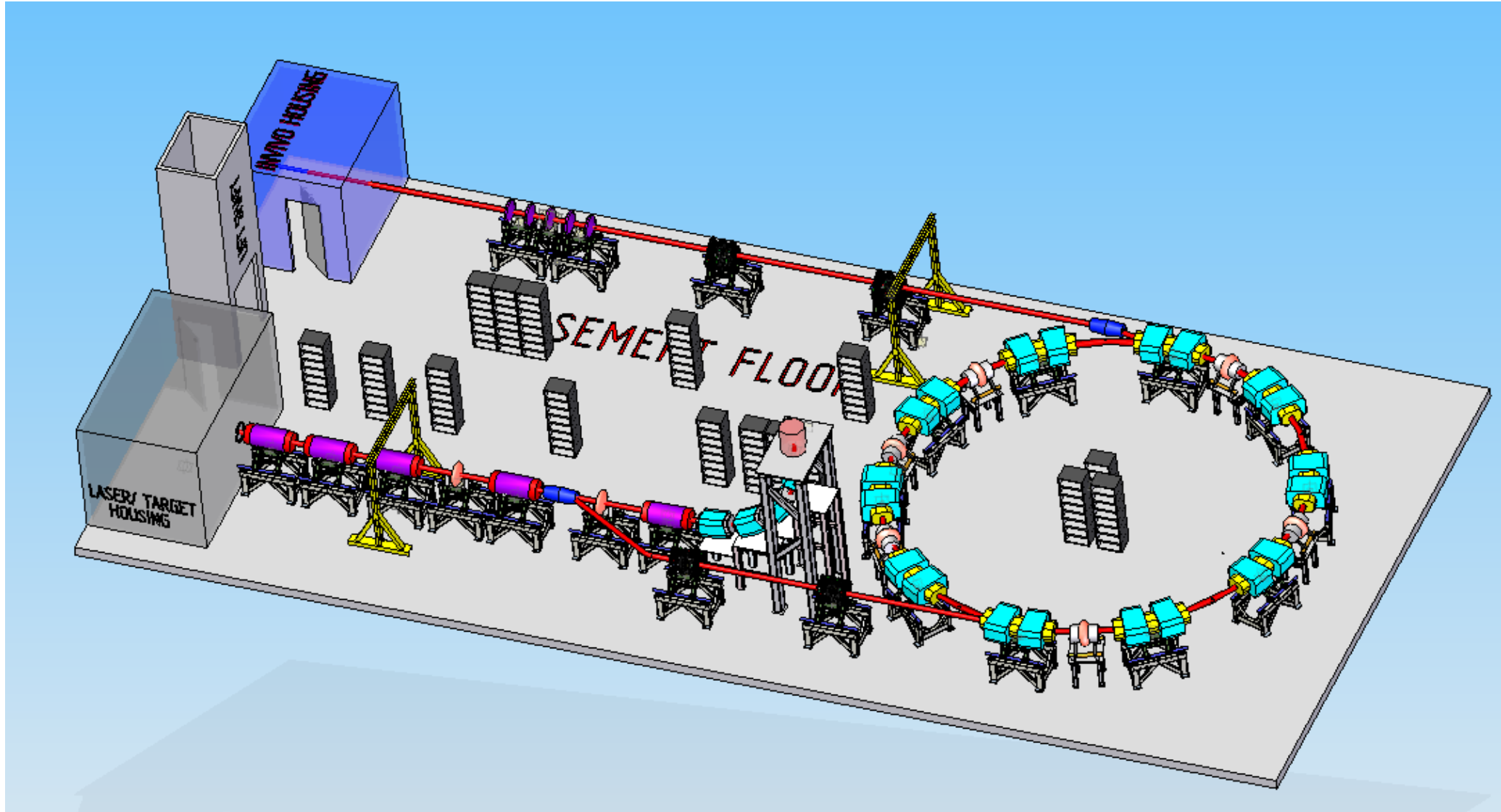
IN-VITRO BEAMLINE

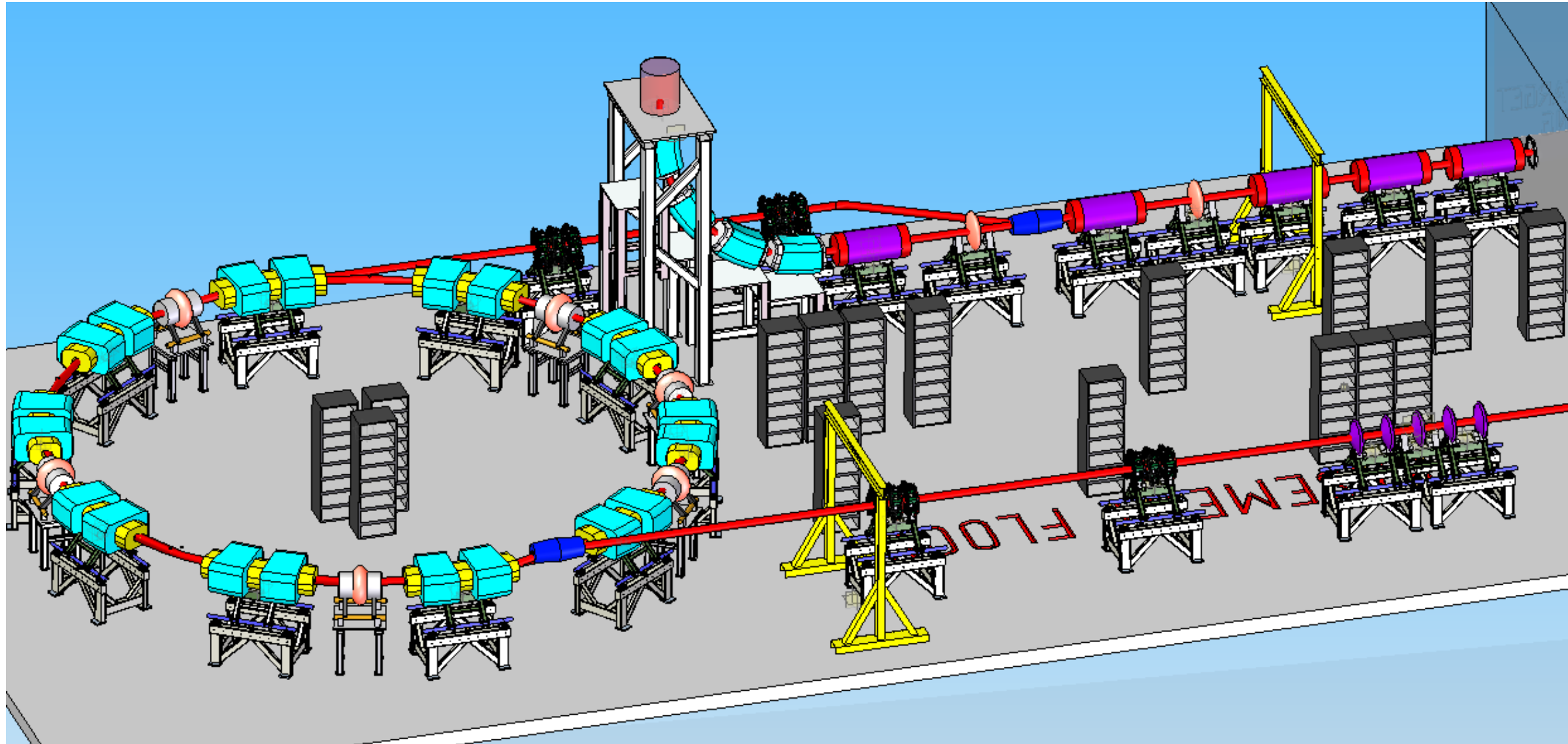


IN-VITRO, 1ST FLOOR/CRANE

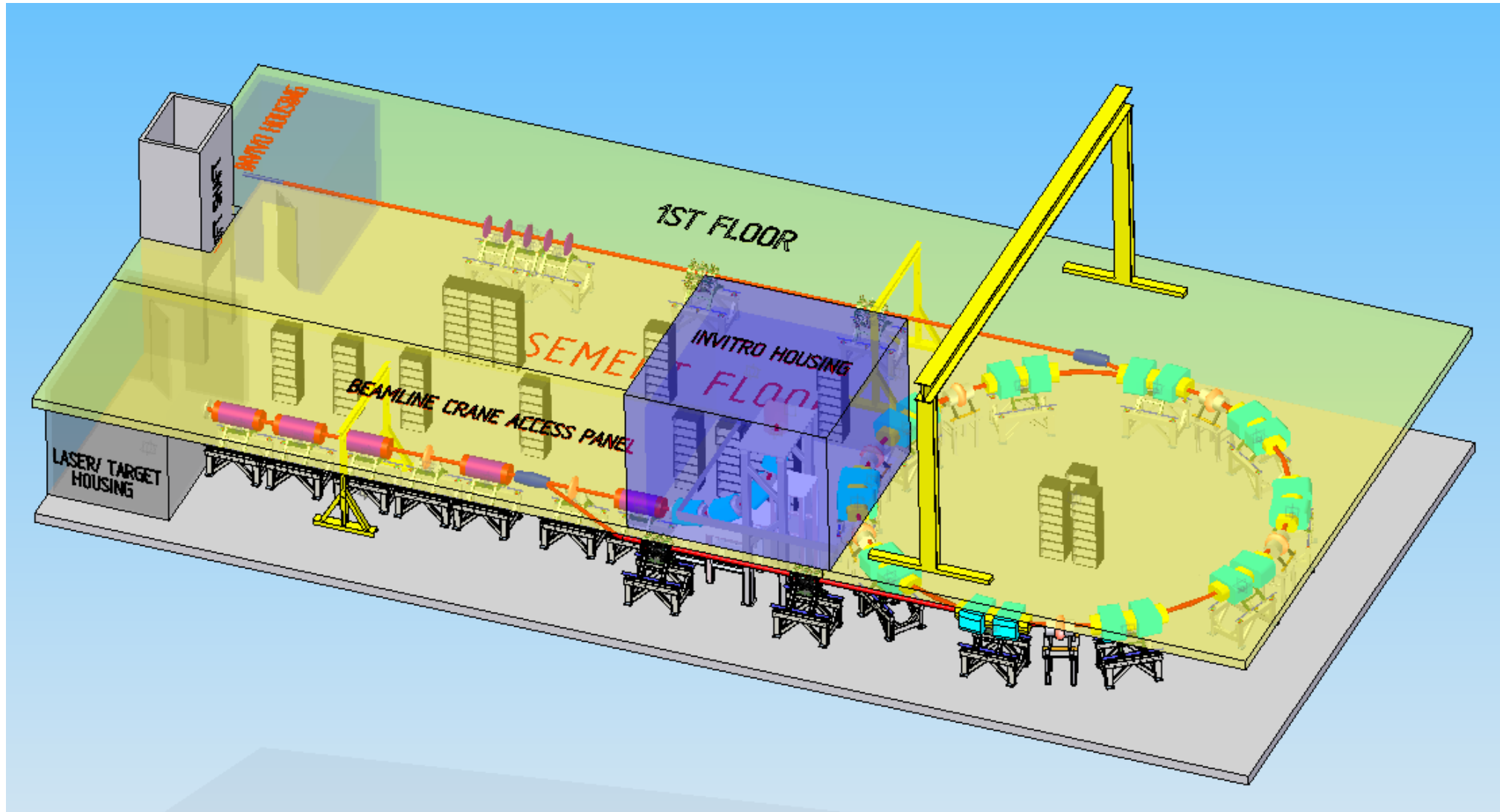


IN-VITRO & IN-VIVO LINES

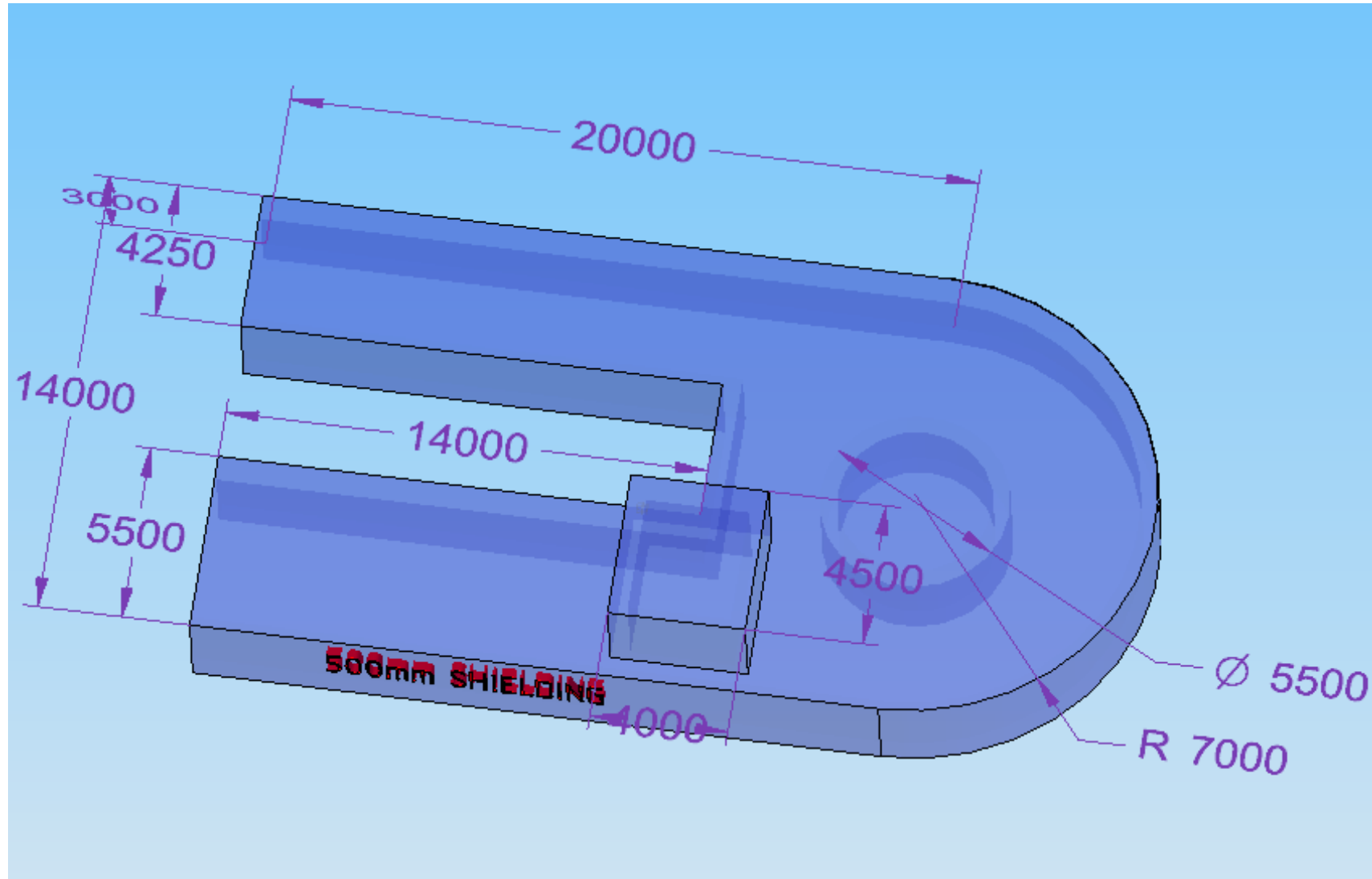




BASEMENT & 1ST FLOOR - NO SHIELDING



SHIELDING – 500MM



BEAMLINES WITH SHIELDING

