



Science & Technology  
Facilities Council

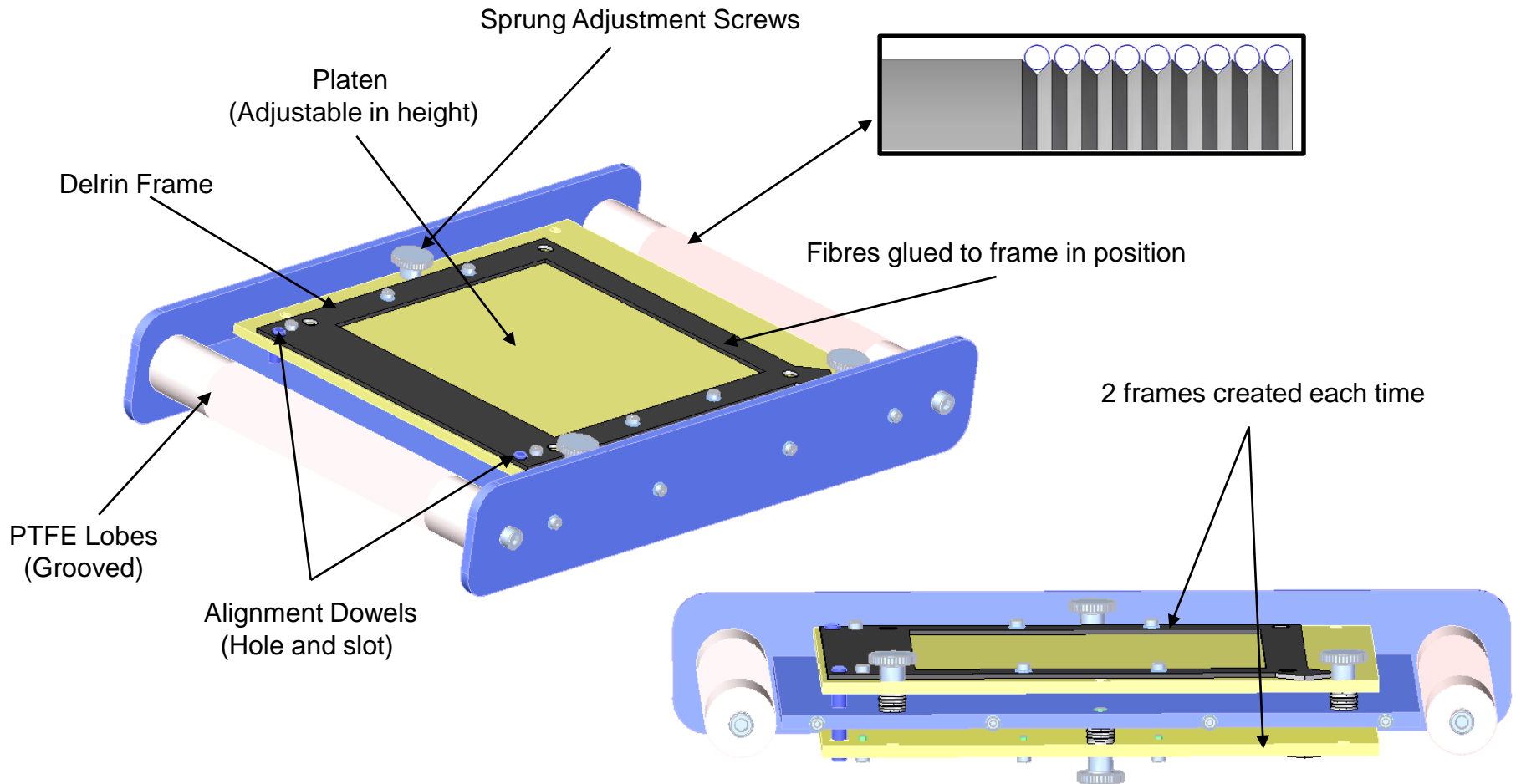
UK Research  
and Innovation

# SmartPhantom Manufacture

Liam Cooper

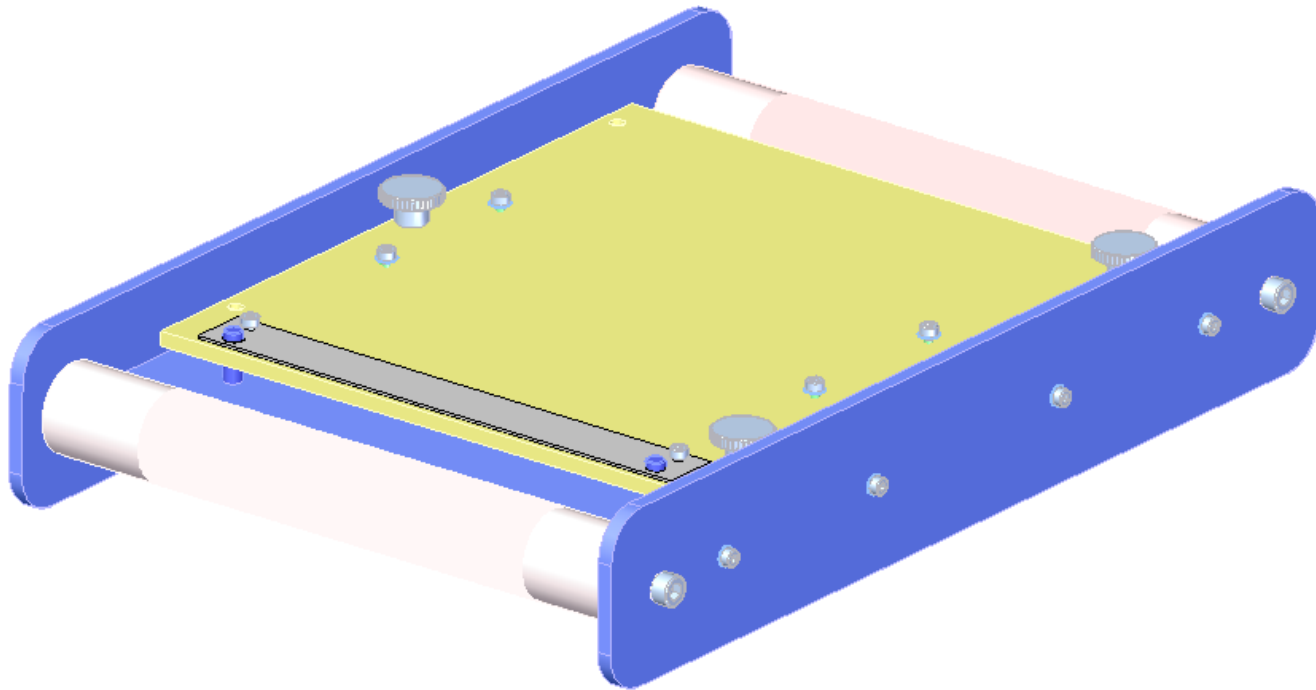
[liam.cooper@stfc.ac.uk](mailto:liam.cooper@stfc.ac.uk)

# Gluing Jig



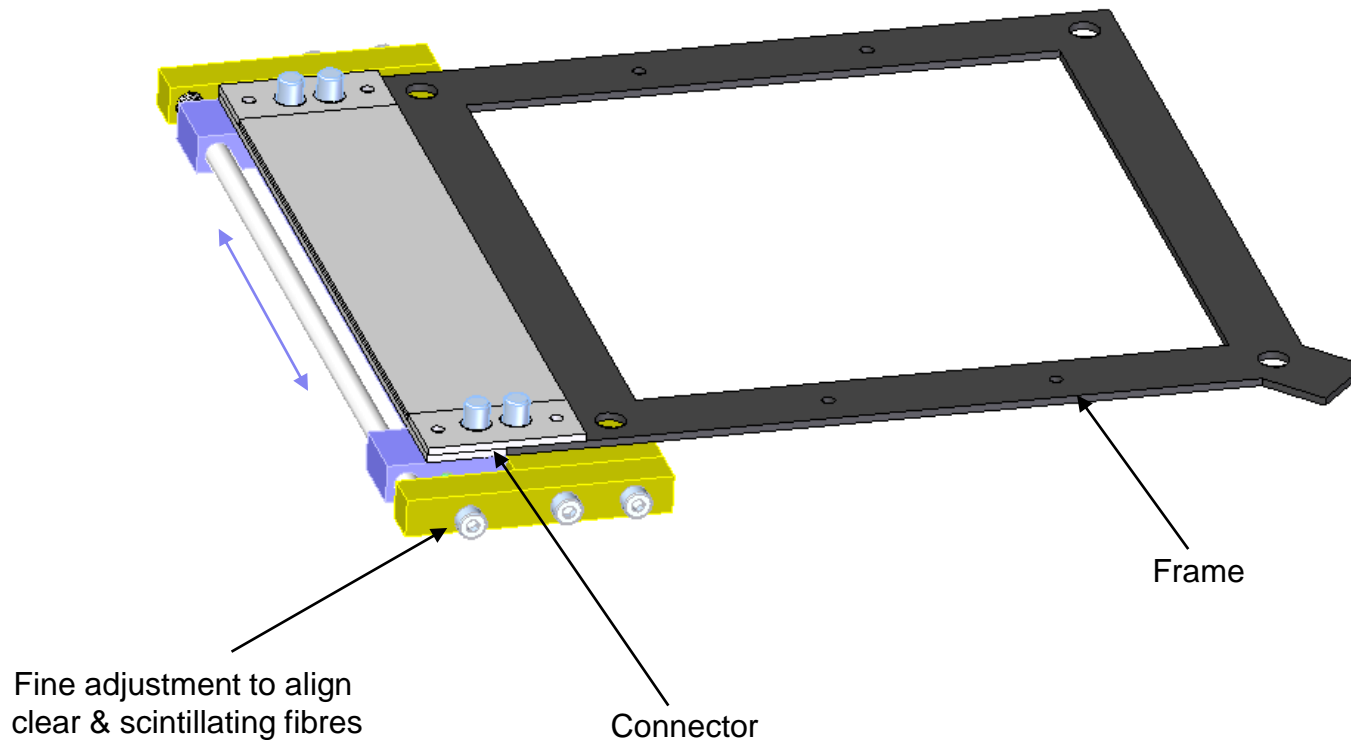
# Gluing Jig

The same jig used for gluing clear fibres to a connector plate.

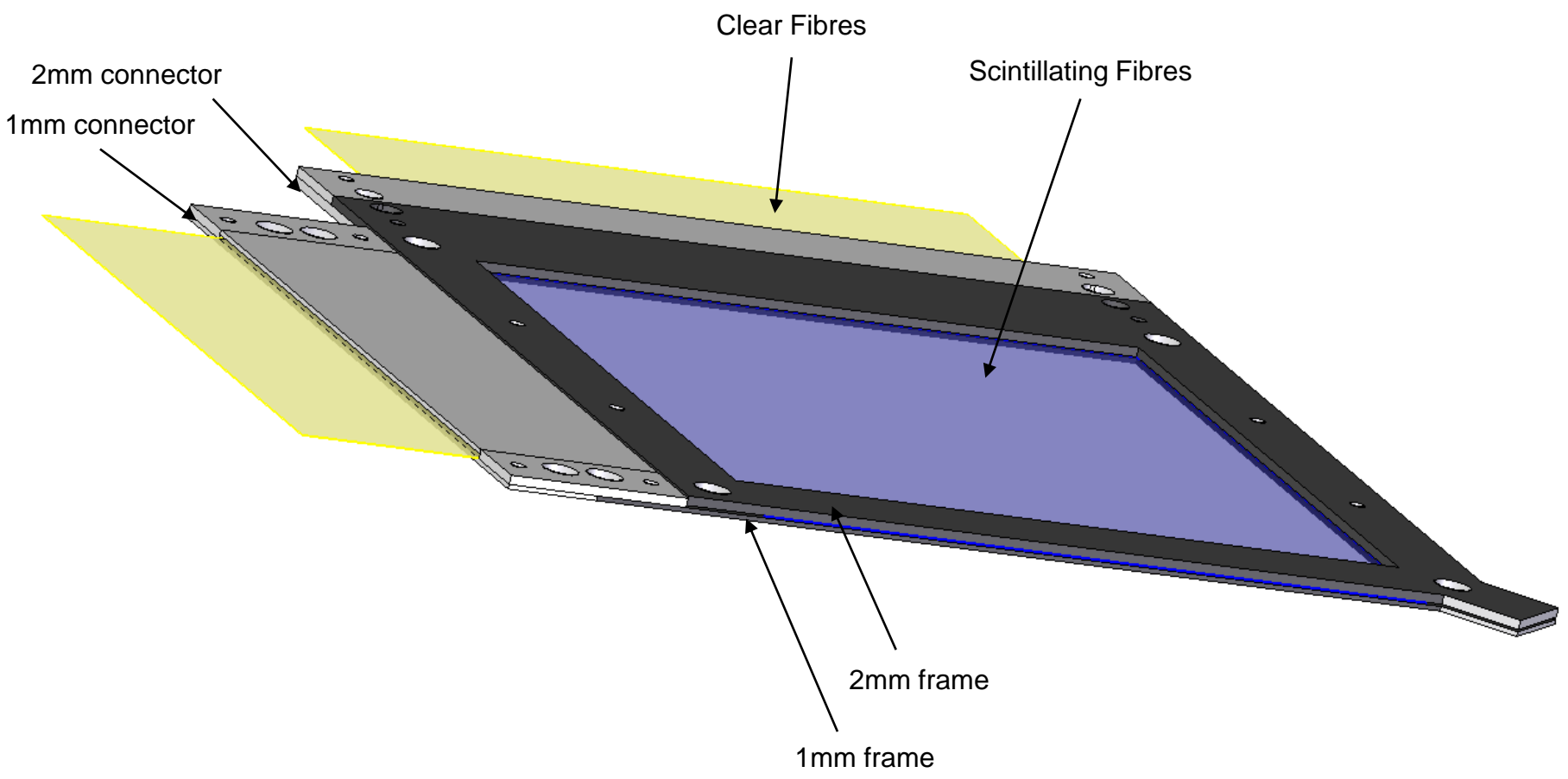


# Alignment Jig

- Step 1 - Align frame and connector using jig
- Step 2 - Tack frame/ connector edges in position using adhesive
- Step 3 - Fix frame/ connector together using fasteners



# Station





# Assembly

