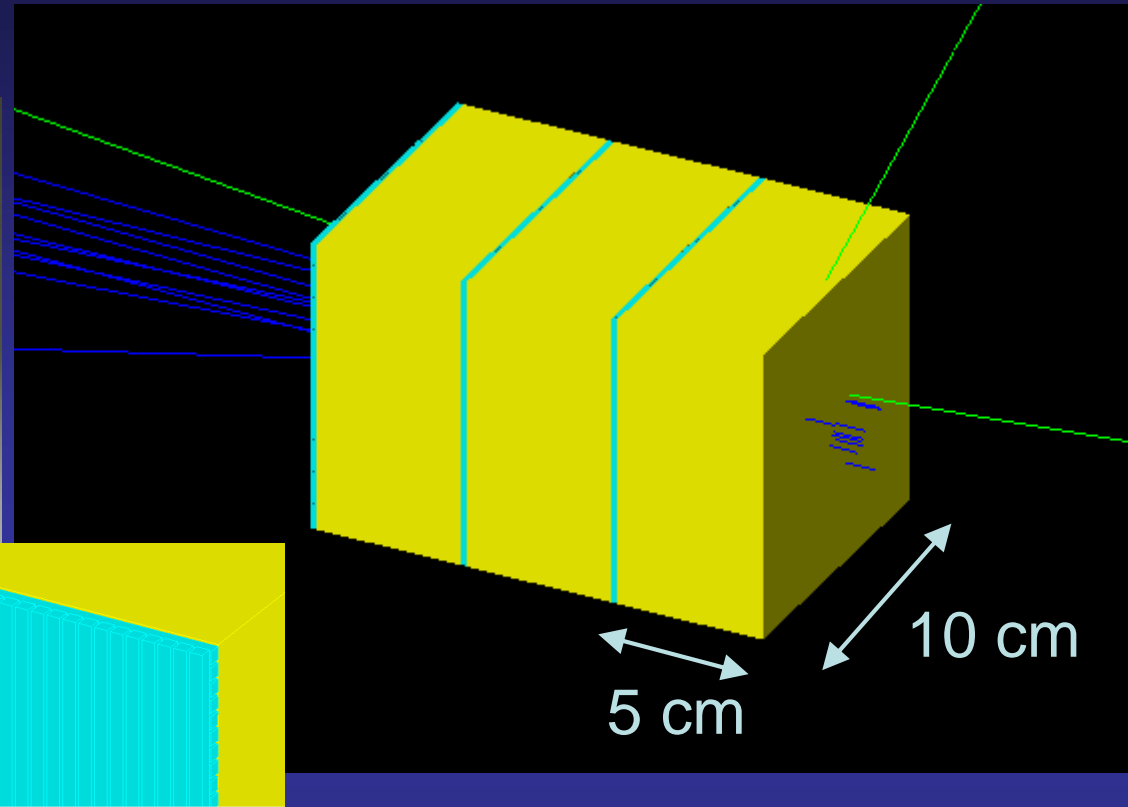
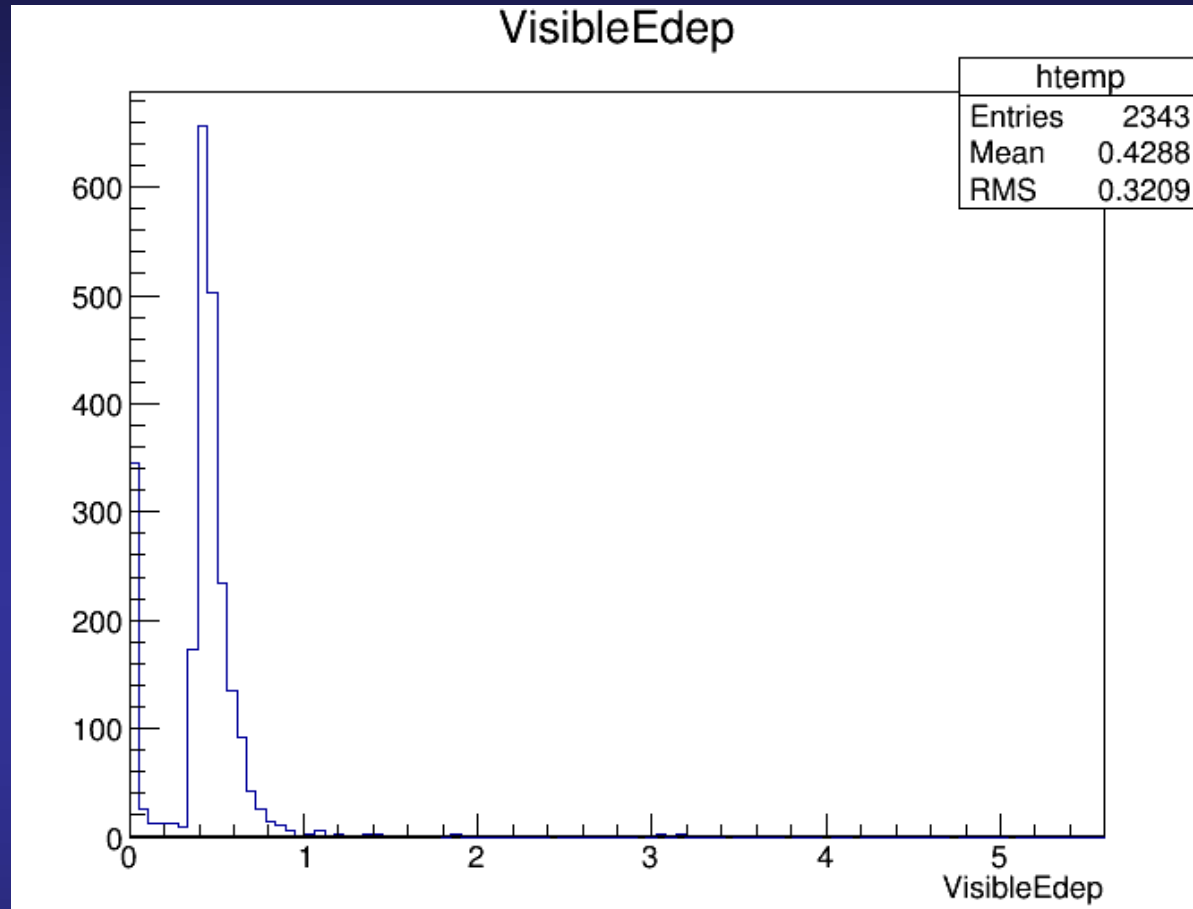


Instrumented Phantom



- 1mm square fibres, 2 planes x and y.
- Yellow is water.
- 200 MeV protons.
- Following results for 1×10^5 protons, gaussian with 1cm width in x and y, 0.005 x' and y', Gaussian momentum spread width 20MeV.

Scintillation light yield in one fibre



- Visible energy deposits (MeV) in one fibre in the middle of the detector.

Scintillation light yield in one fibre in layer 3

