



Science & Technology  
Facilities Council

UK Research  
and Innovation

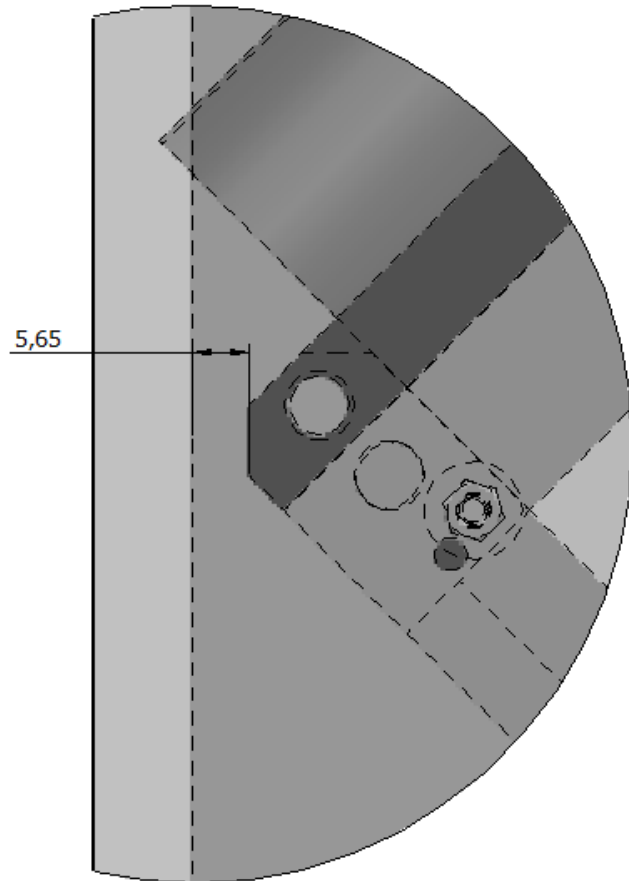
# SmartPhantom Frame Modifications

Liam Cooper 26/06/19

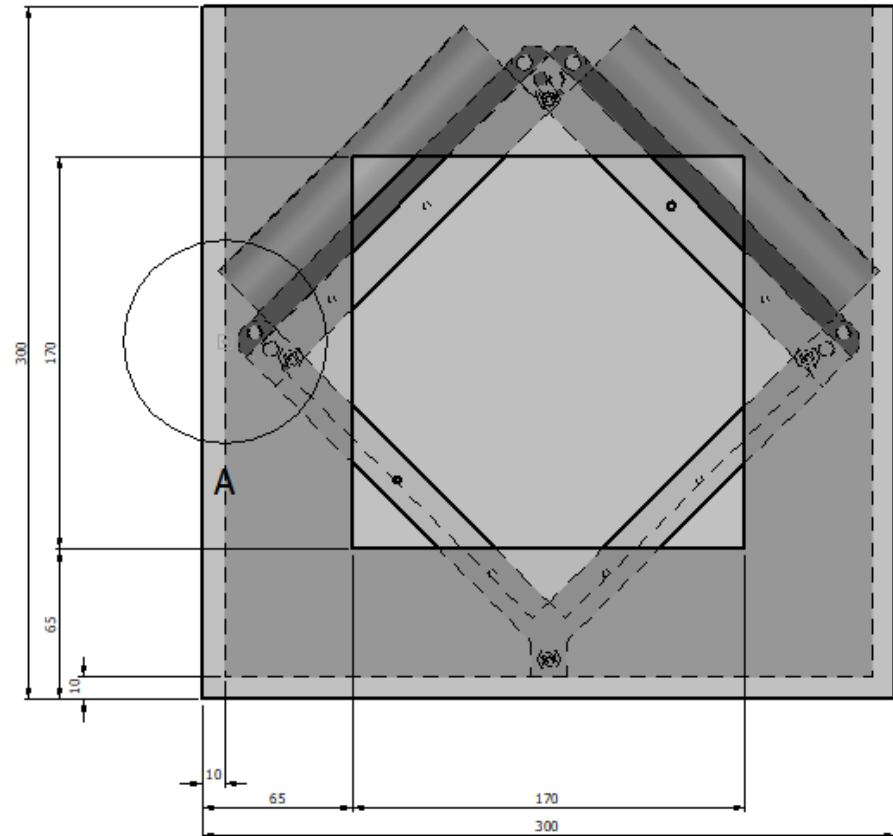
[liam.cooper@stfc.ac.uk](mailto:liam.cooper@stfc.ac.uk)

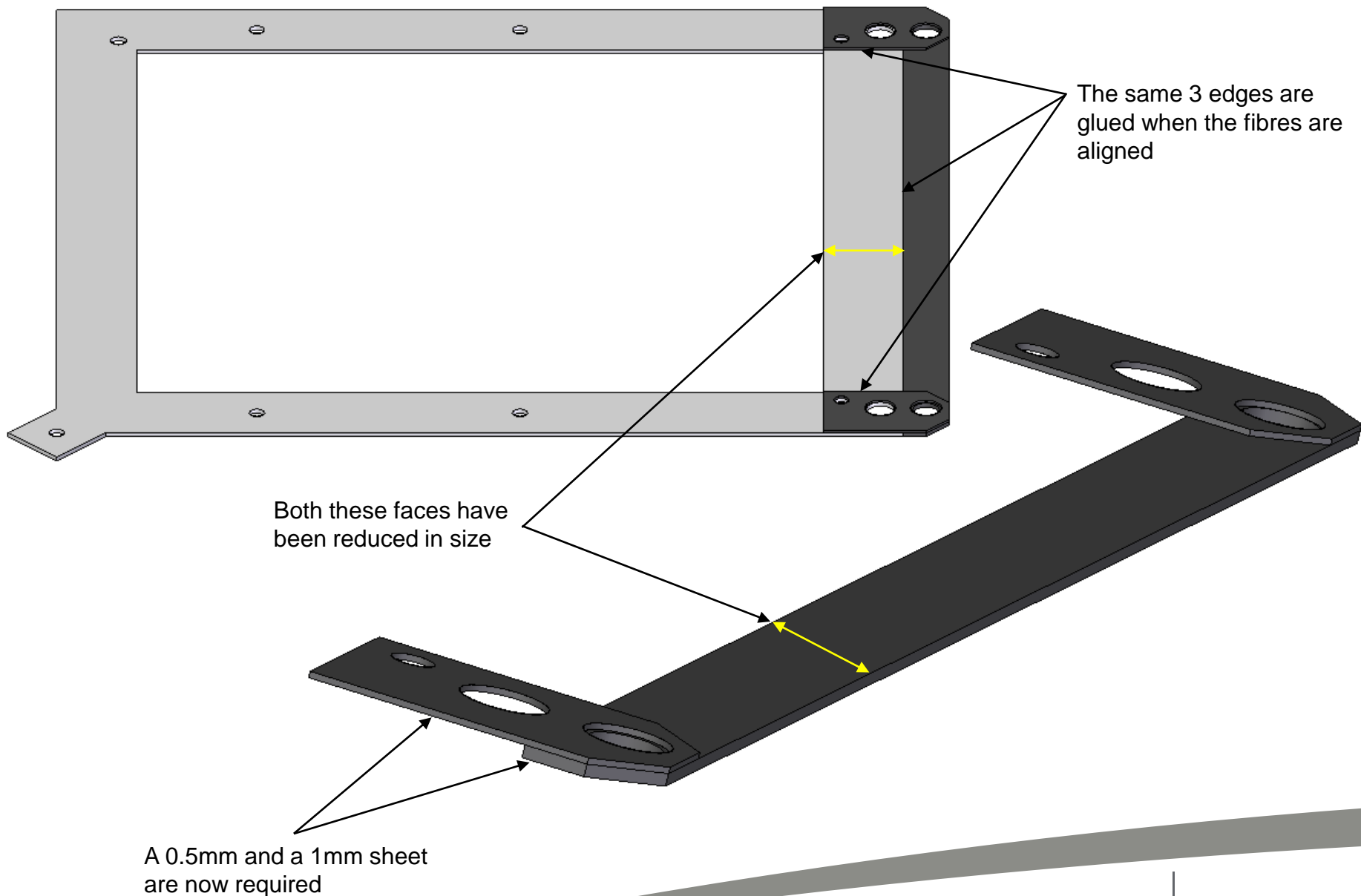
Modifications have been made to the frame so the detector now fits into the tank with some clearance:

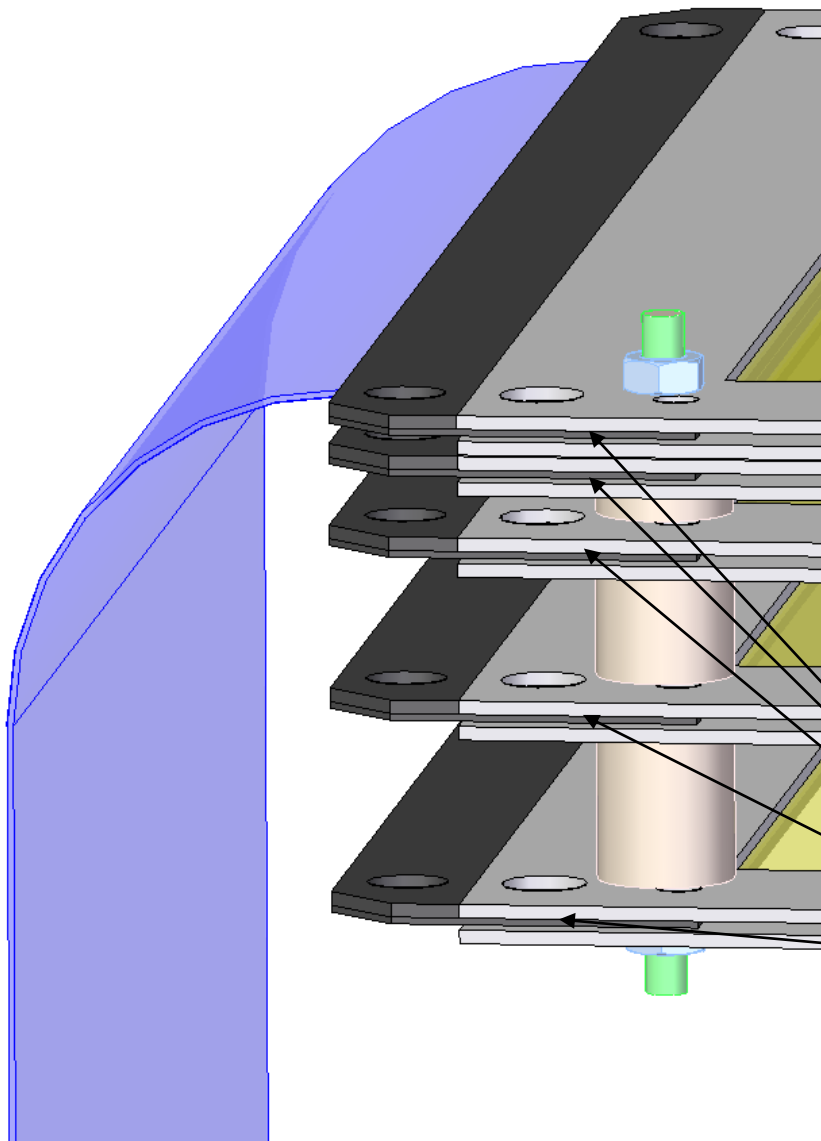
(PTW Water Phantom Type T41023)



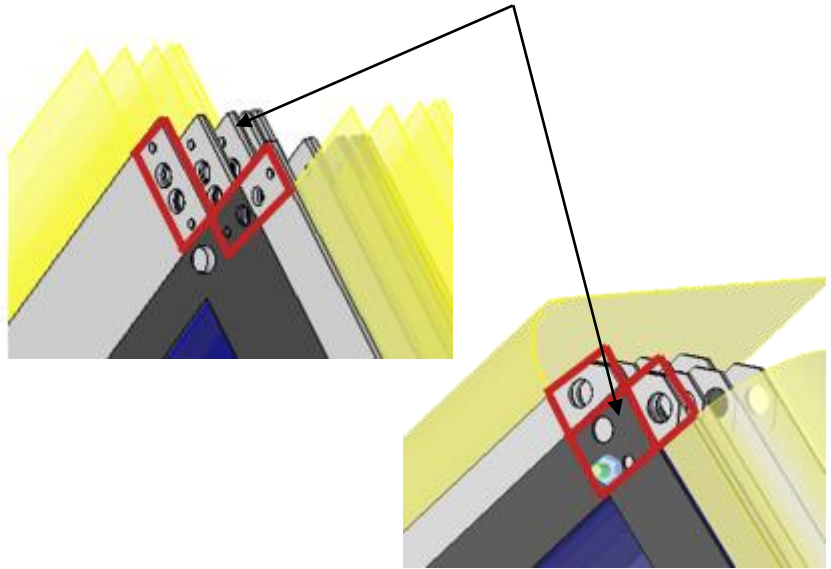
DETAIL A





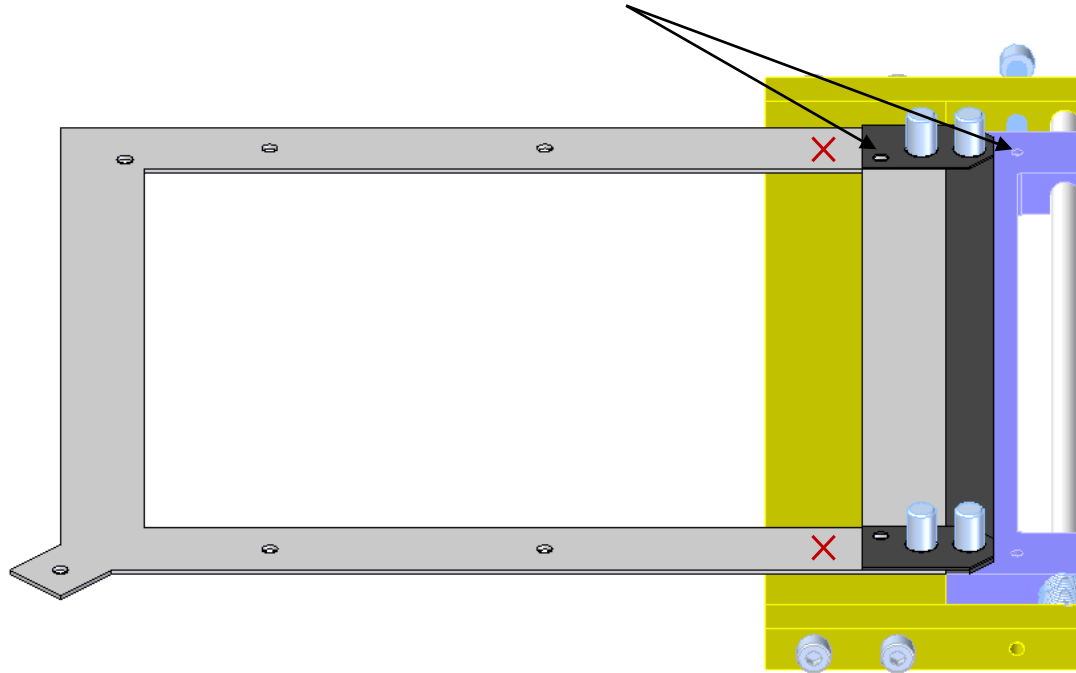


To fit in the tanks the tabs must now overlap in the top corner (hence be half the thickness)



The tabs fit in the space between orthogonal layers.

This dimension change means the fastening holes on the jig are no longer used.



**May need to modify these hole positions and reissue alignment jig drawings.**