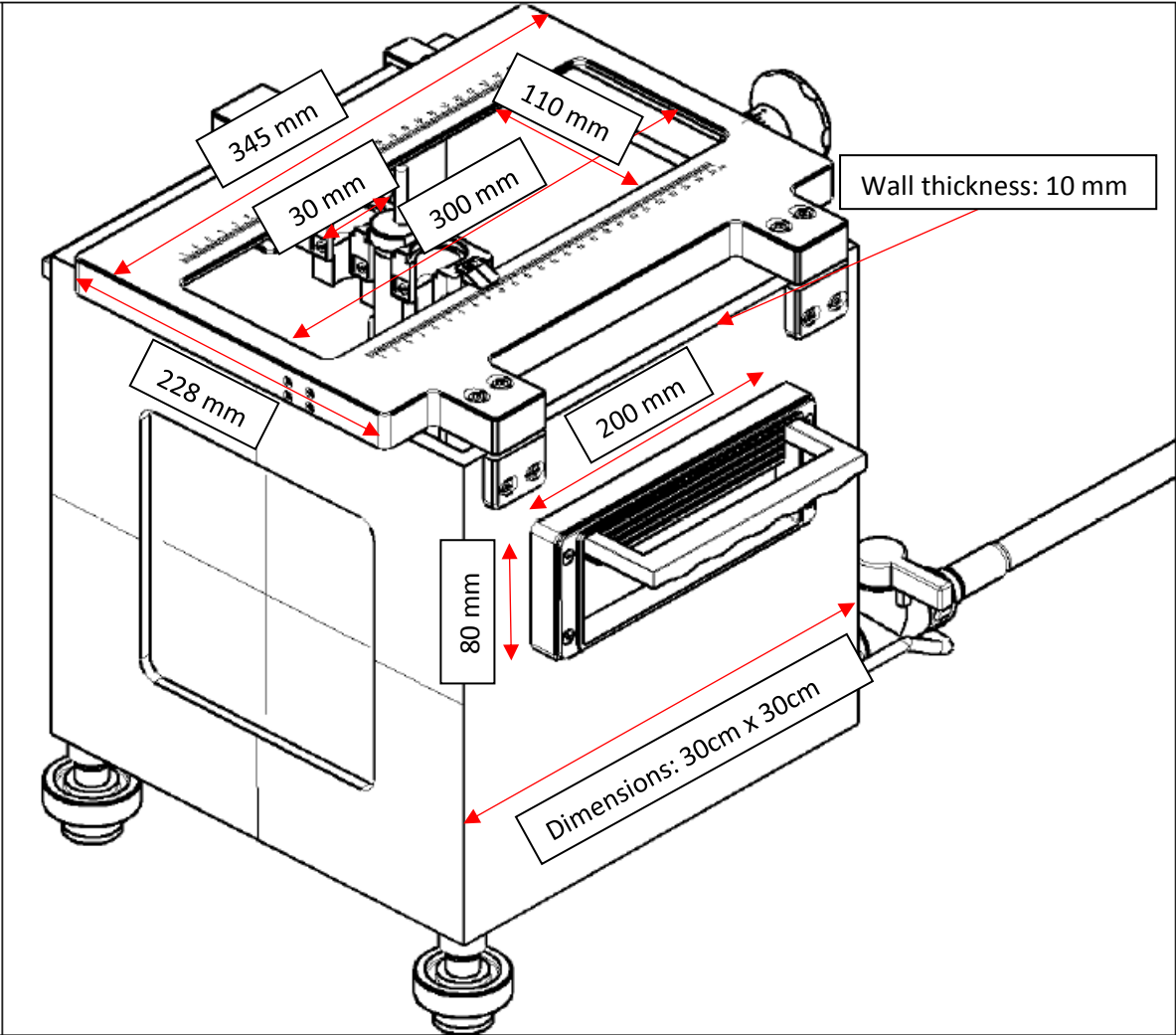


3 screws (x2): each of 13 mm in dia. and 3 mm thick (inside the phantom part)



Wall thickness: 10 mm

Dimensions: 30cm x 30cm