



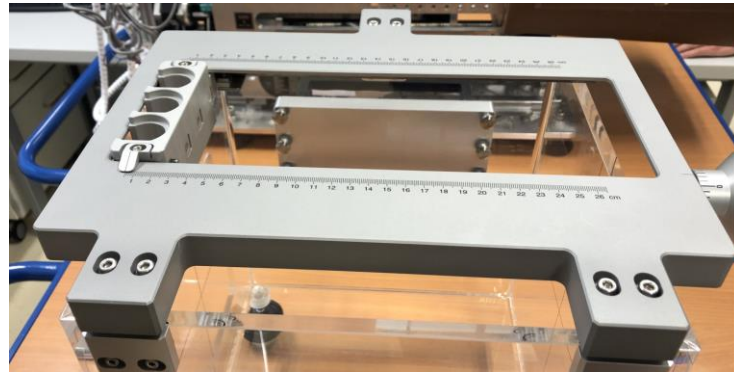
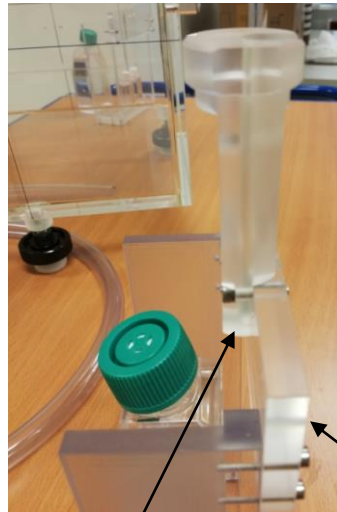
SmartPhantom

Liam Cooper

liam.cooper@stfc.ac.uk

191106

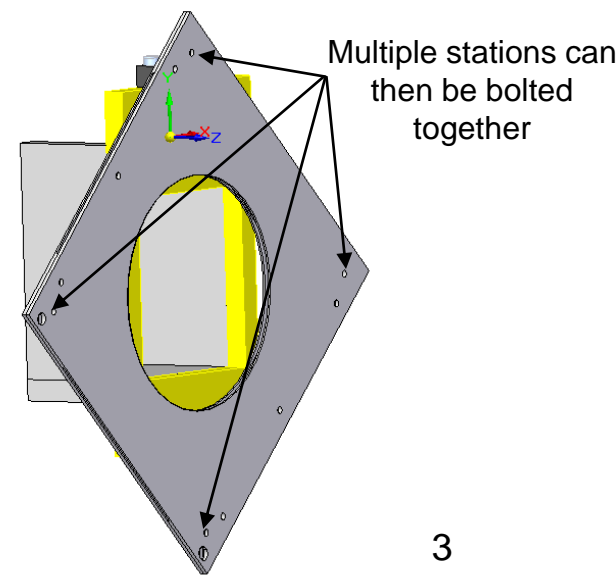
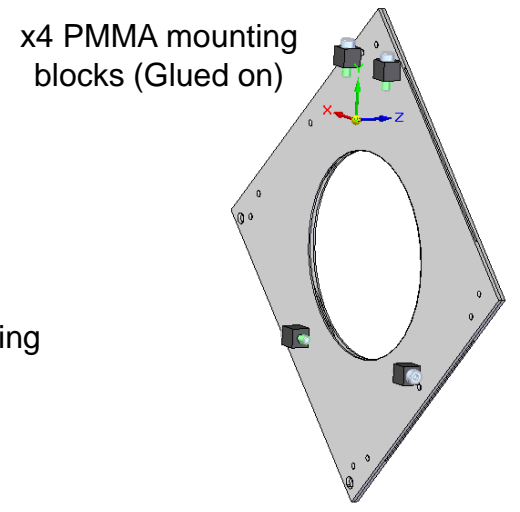
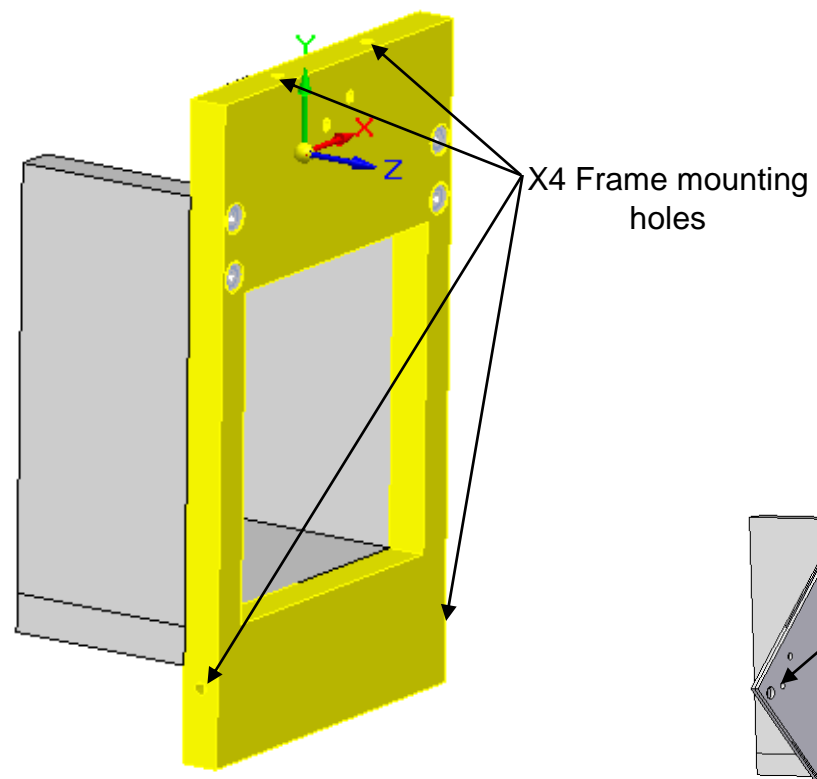
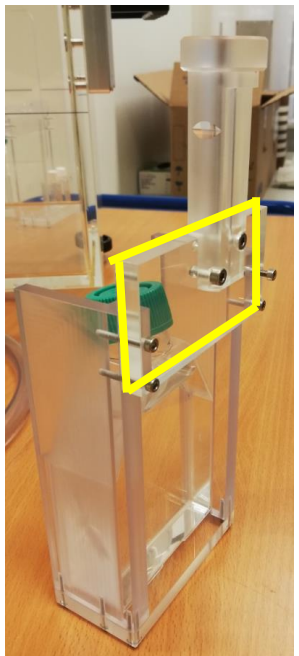
Frame Support Concepts



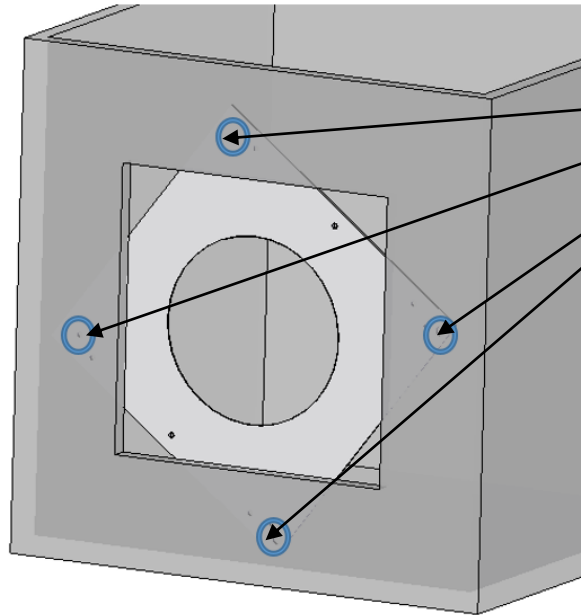
Note orientation of
turret

Flat surface (if bolts
are countersunk)

Replace highlighted piece only



Frame Support Concepts



Threaded suction cup in each corner

Will need a gauge at the bottom to ensure this frame is the same height as the others