



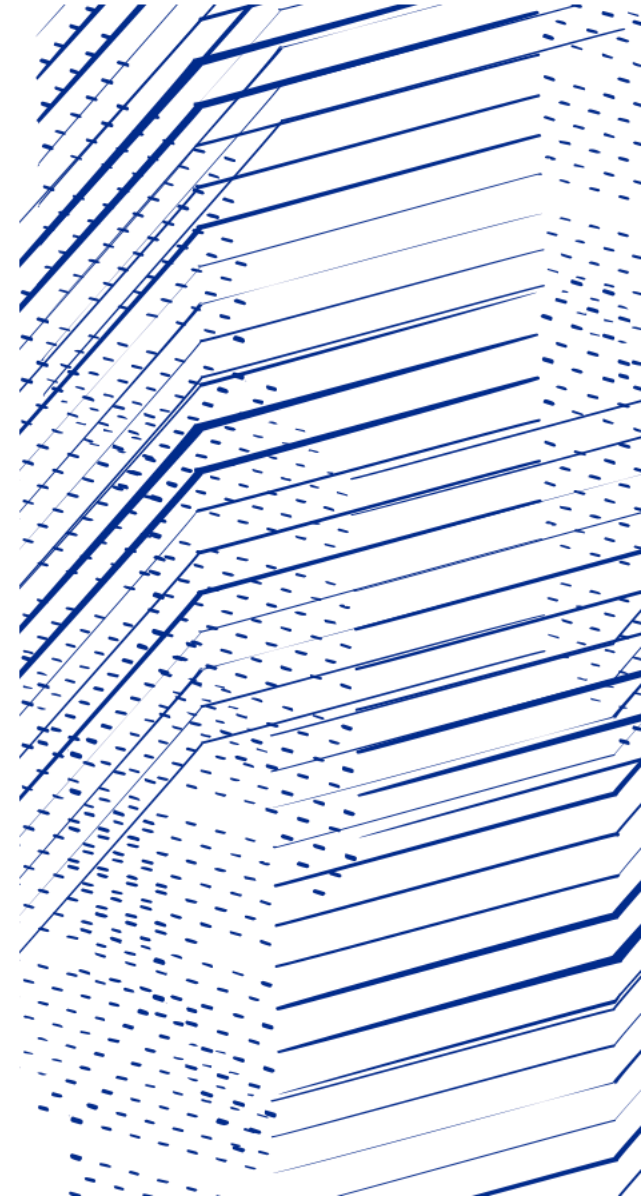
Science and  
Technology  
Facilities Council

# ITRF Project

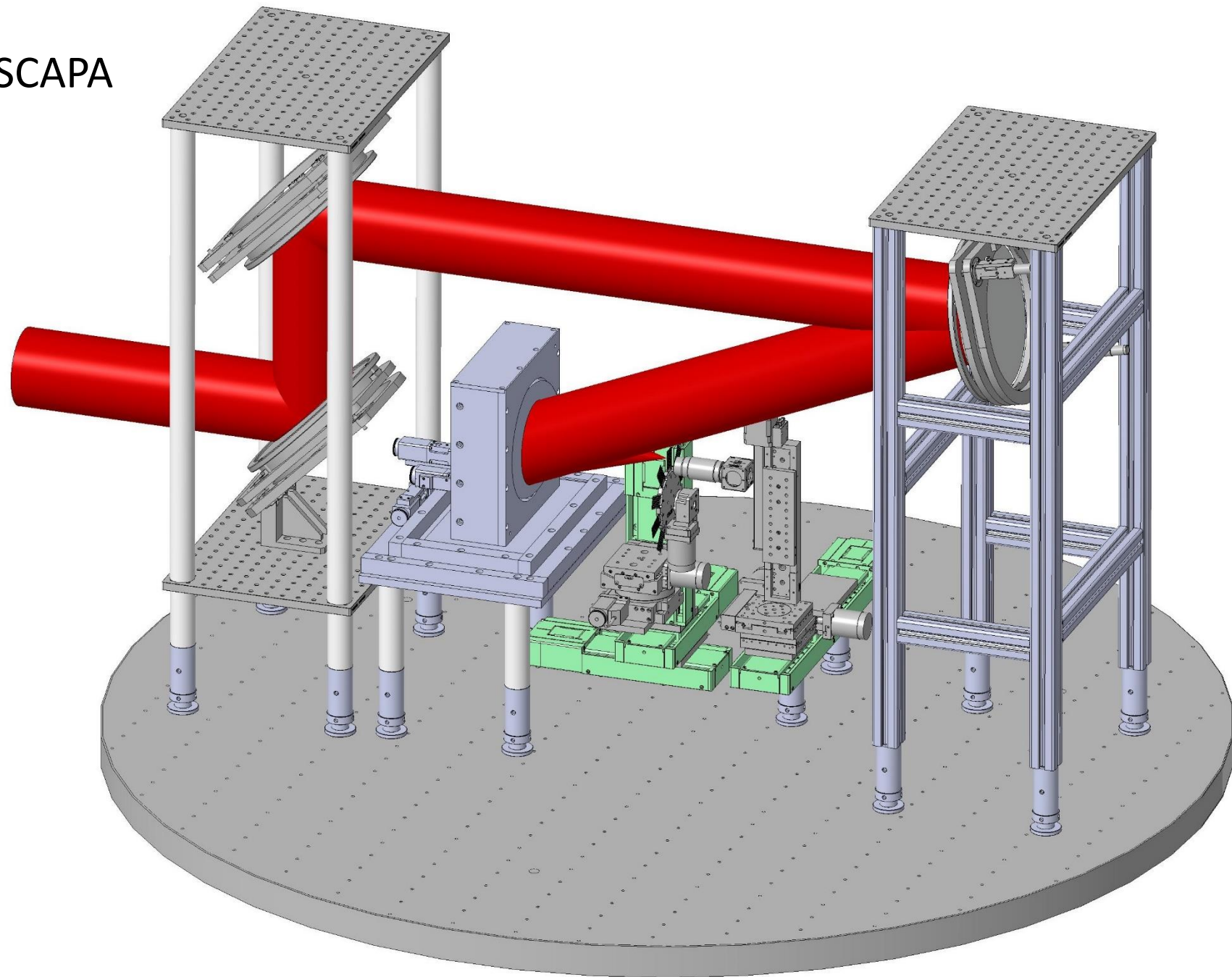
**Mechanical Engineering Design**

ITRF Target Chamber Discussion

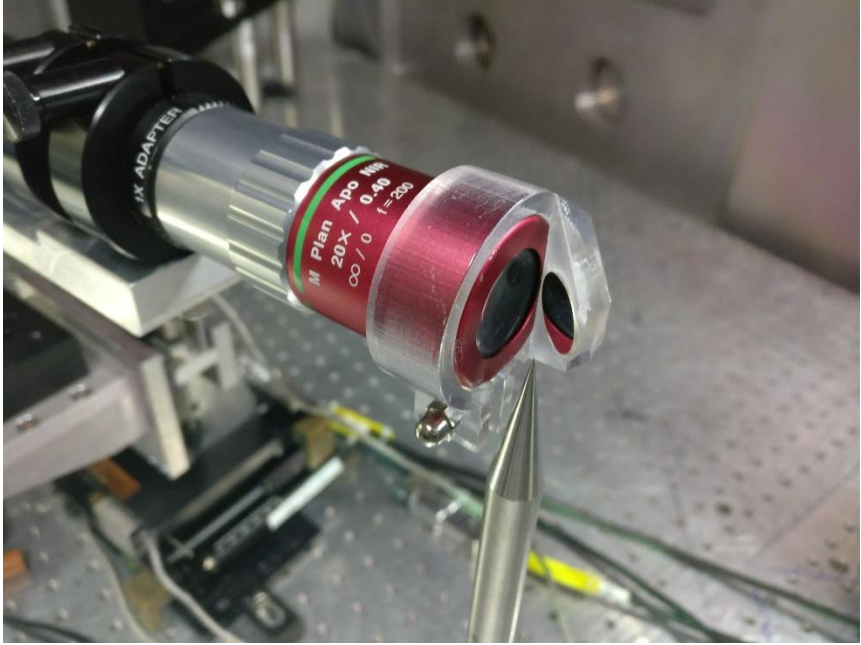
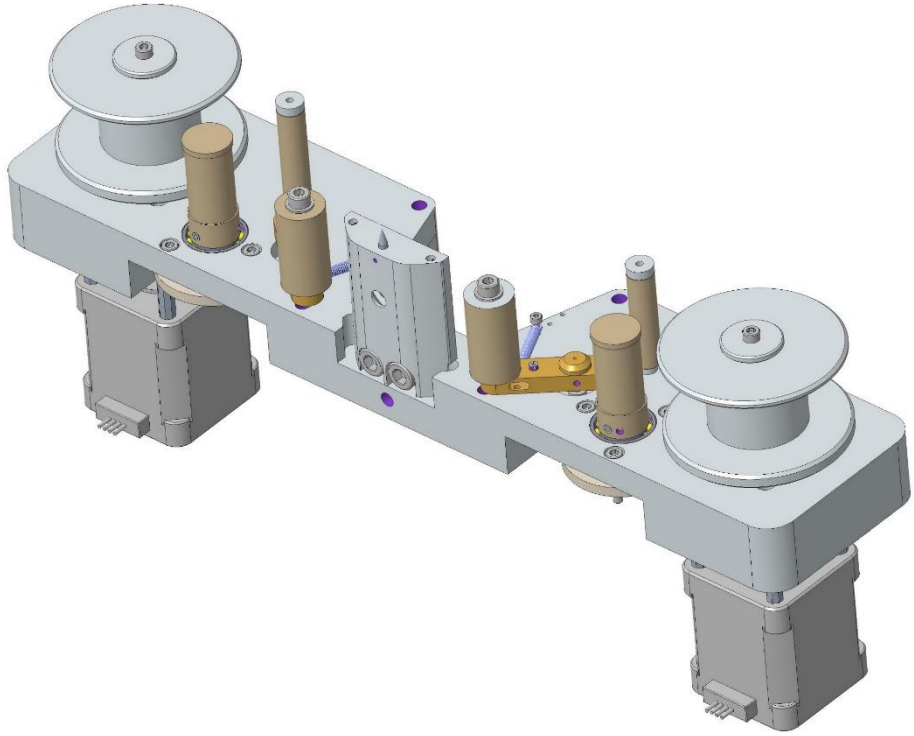
Clive Hill



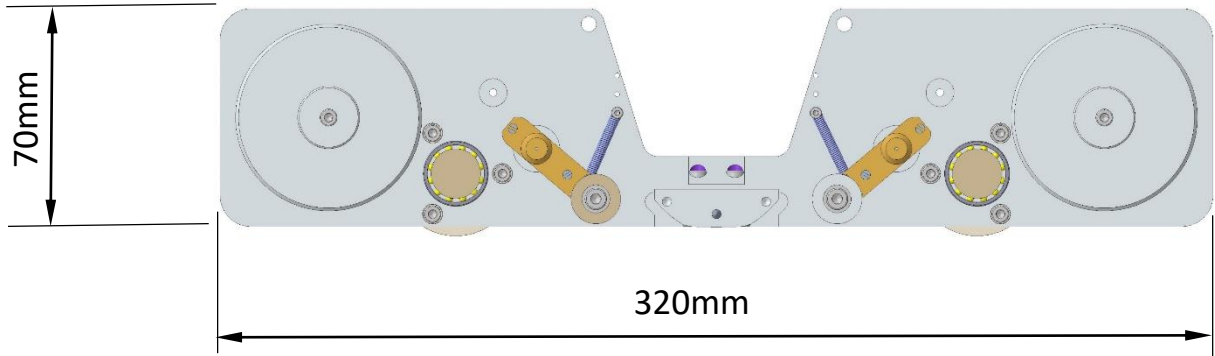
For Reference  
Target Set Up SCAPA

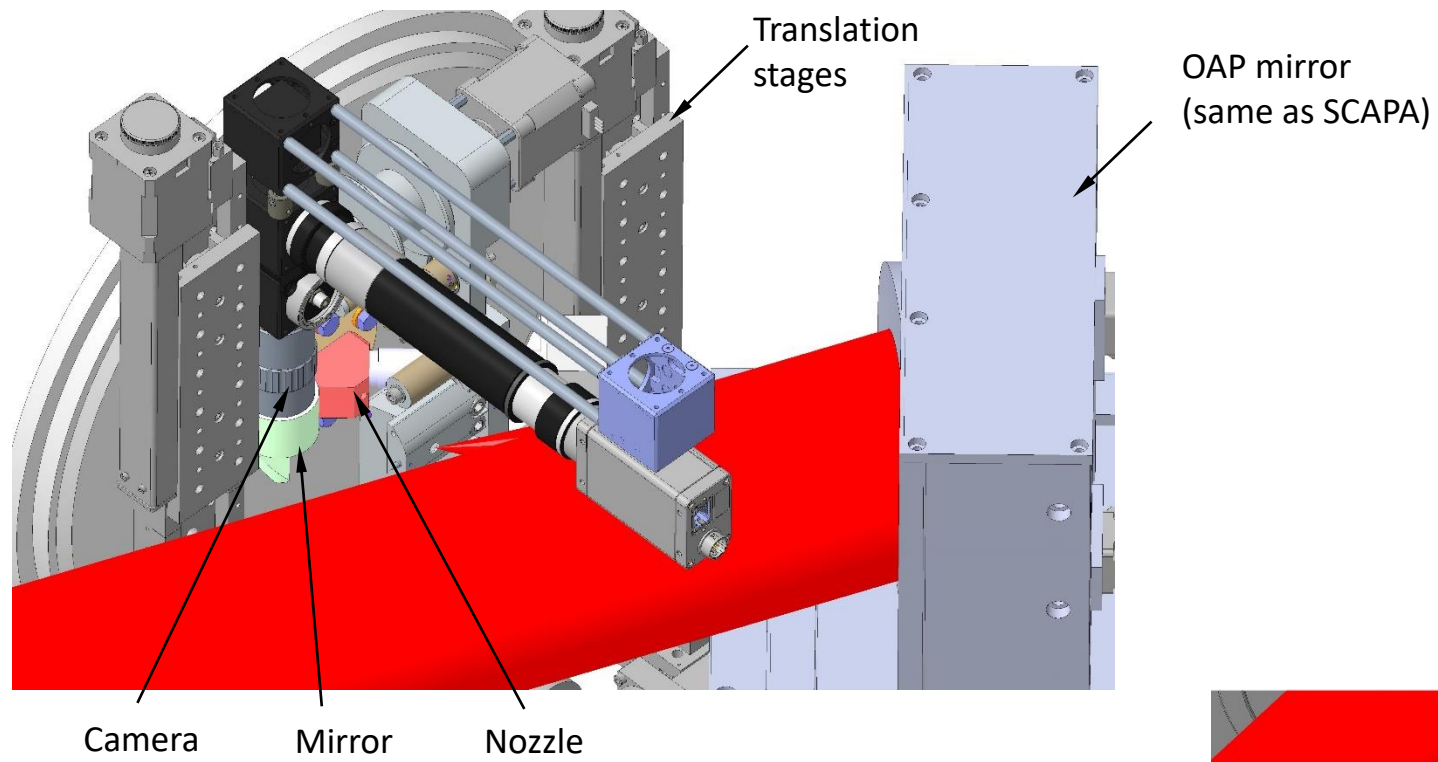


# Tape Drive

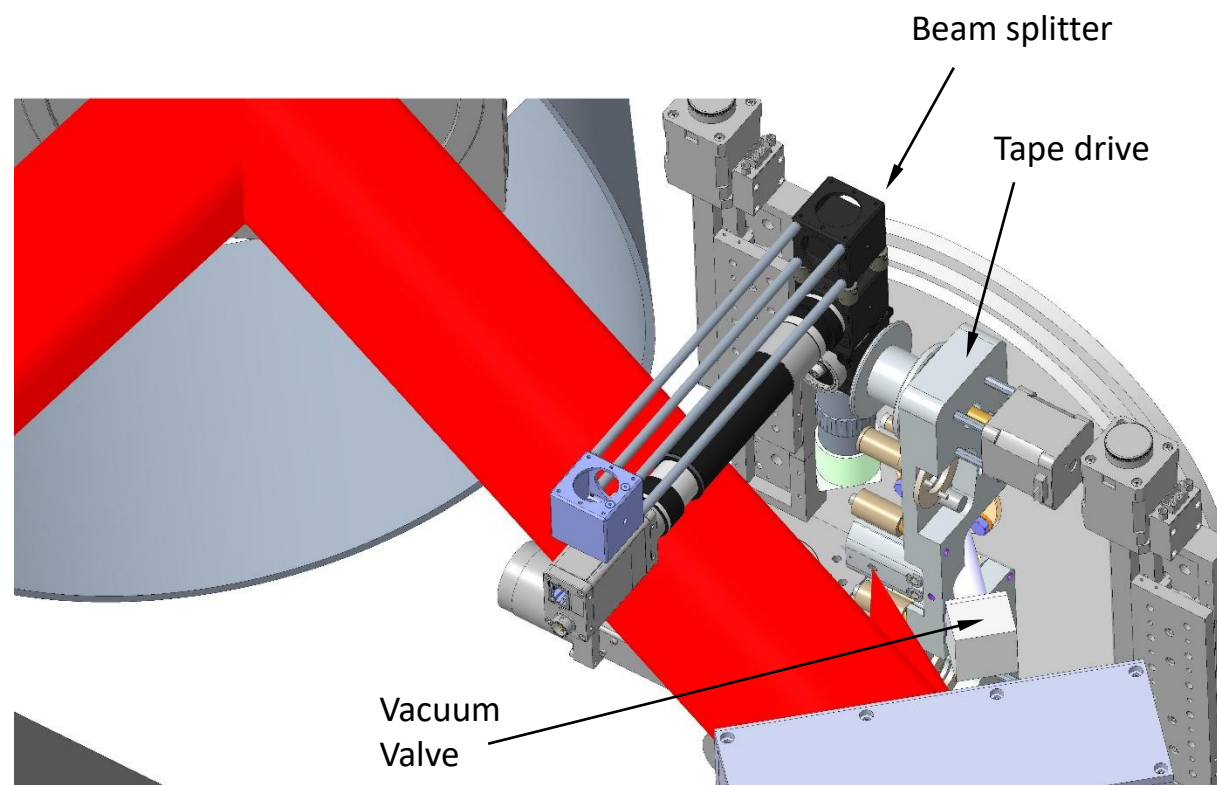


Camera and mirror

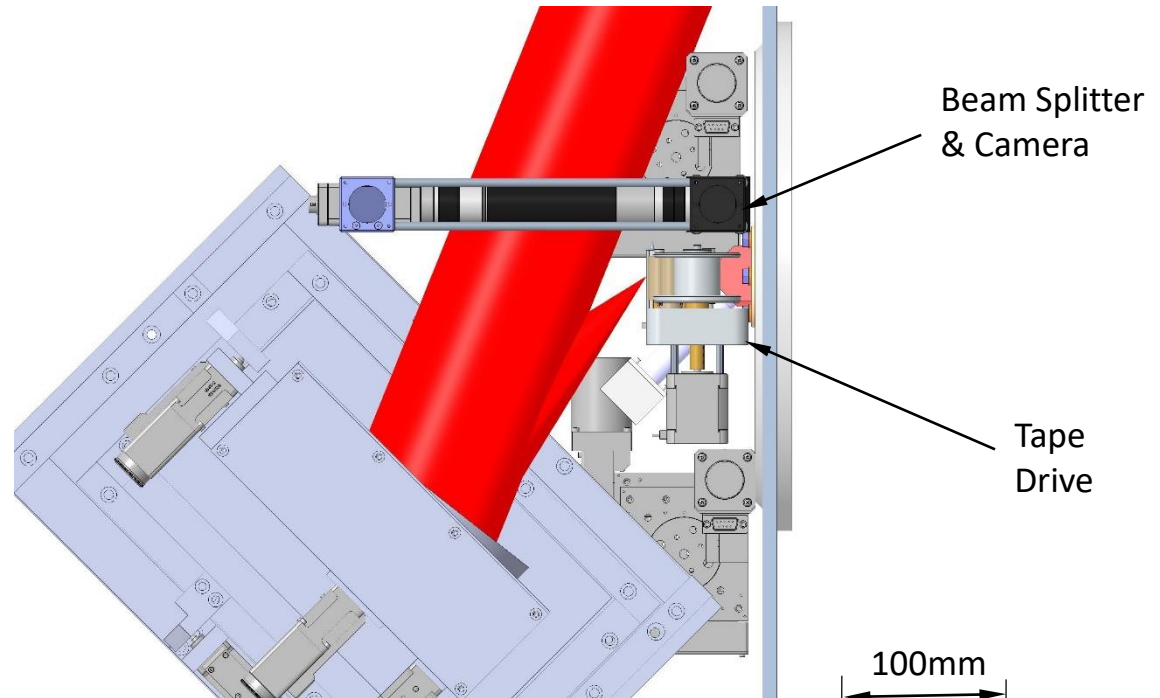
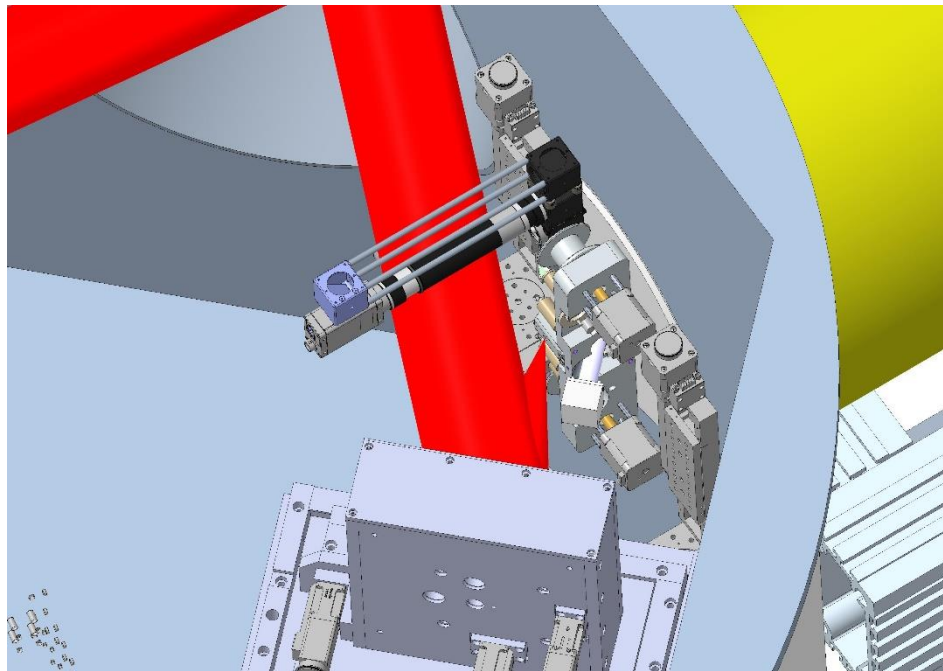




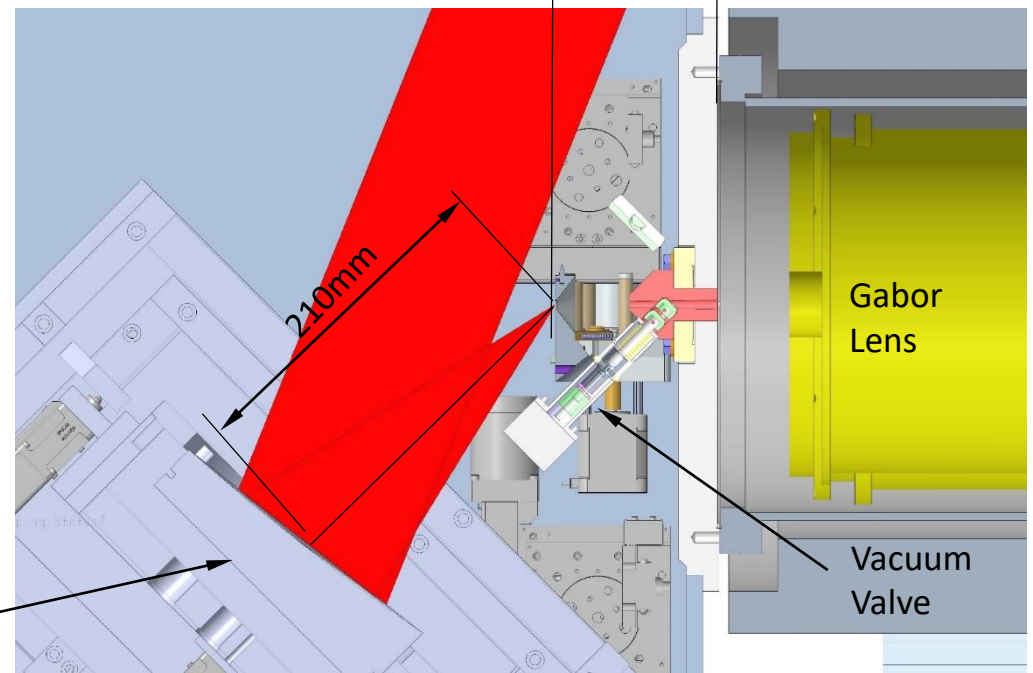
# Target Chamber







OAP mirror (same as SCAPA)



Section View at Beam Height

# Vacuum Valve and Nozzle

