



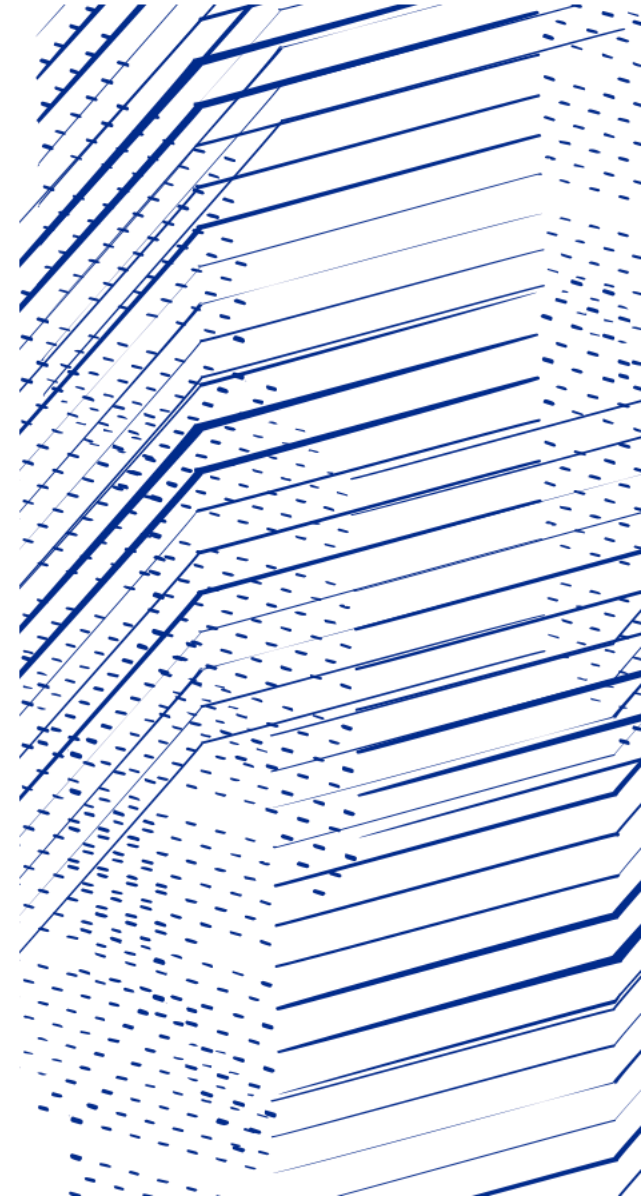
Science and  
Technology  
Facilities Council

# ITRF Project

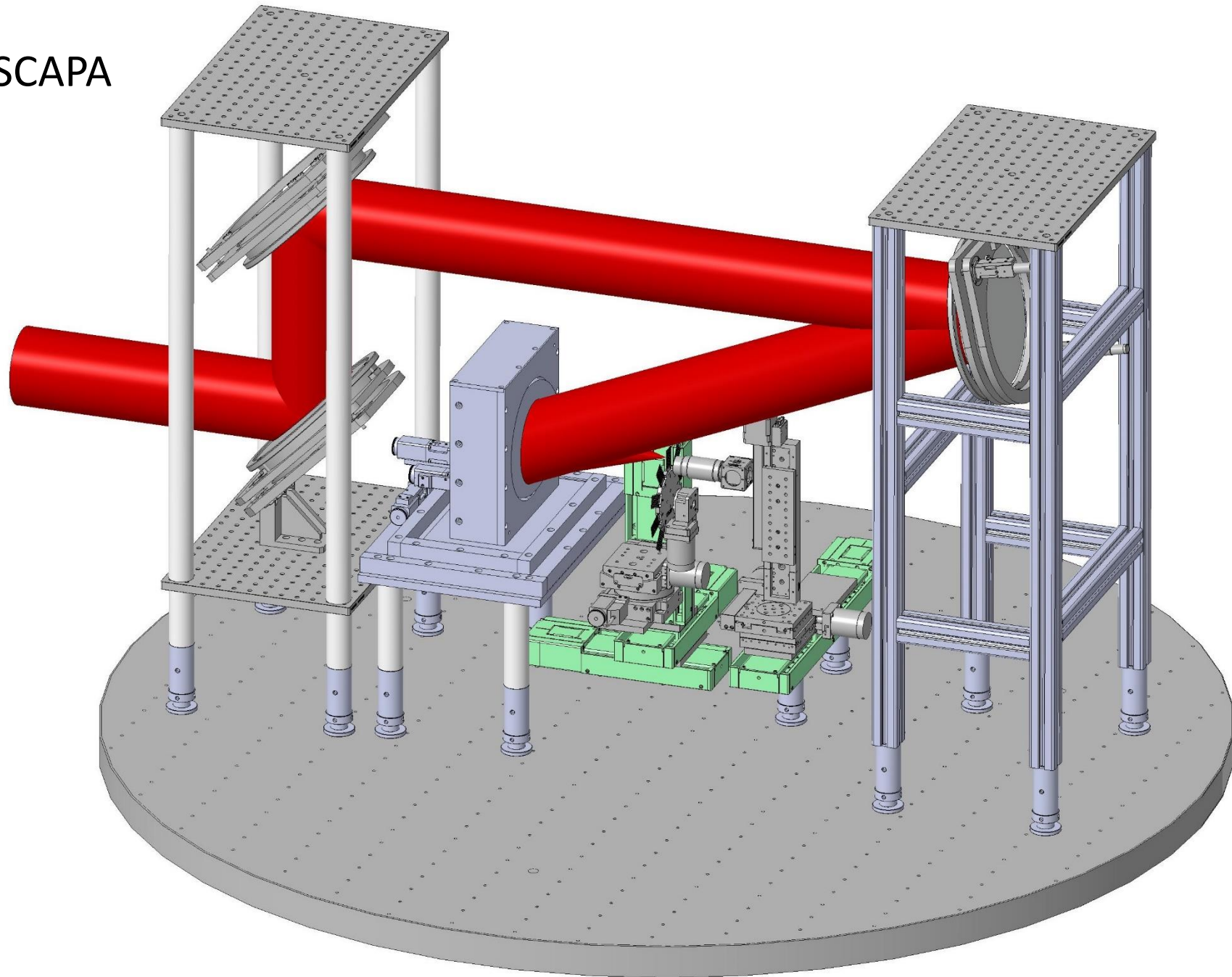
Mechanical Engineering Design

ITRF Target Chamber Discussion

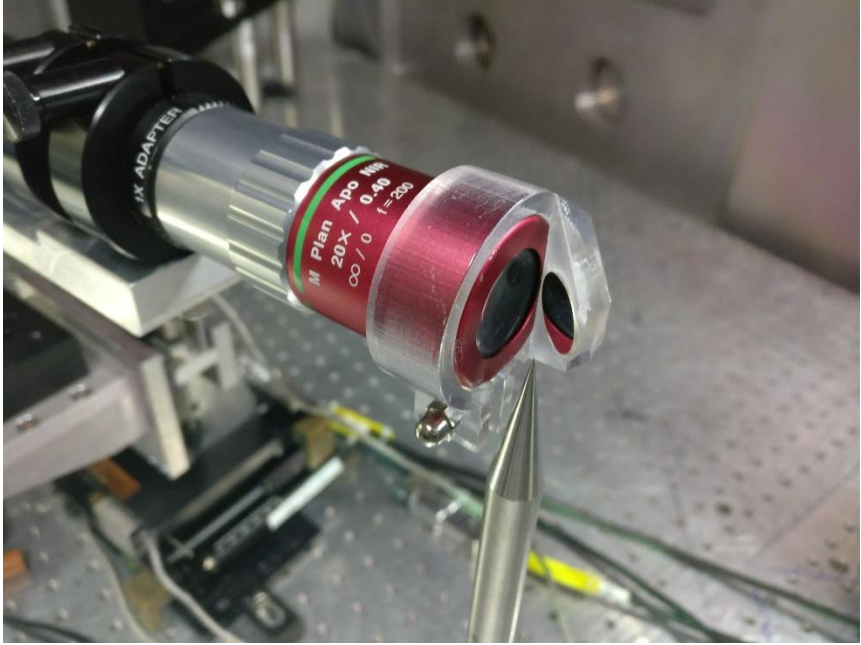
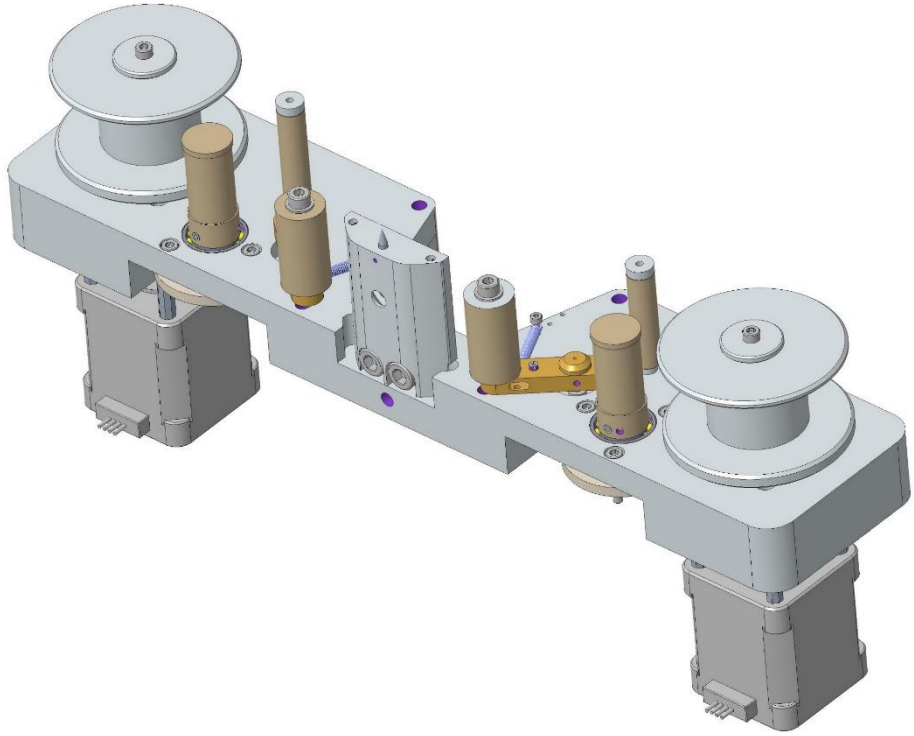
Clive Hill



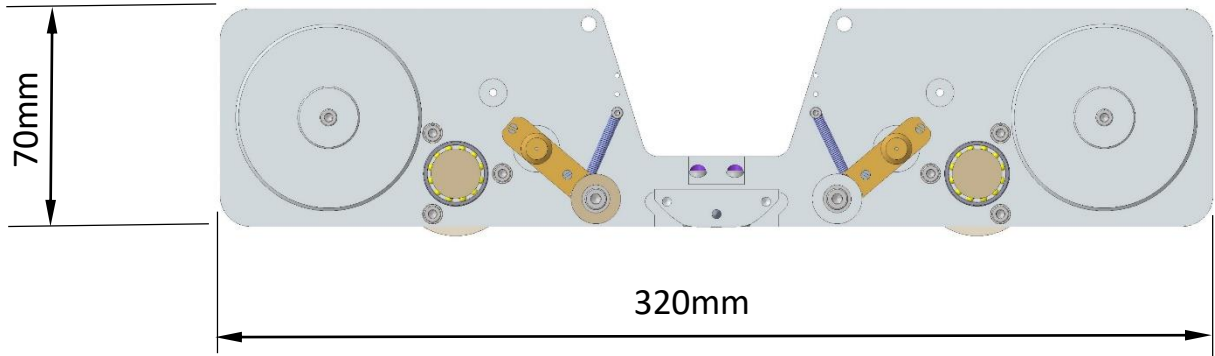
For Reference  
Target Set Up SCAPA



# Tape Drive

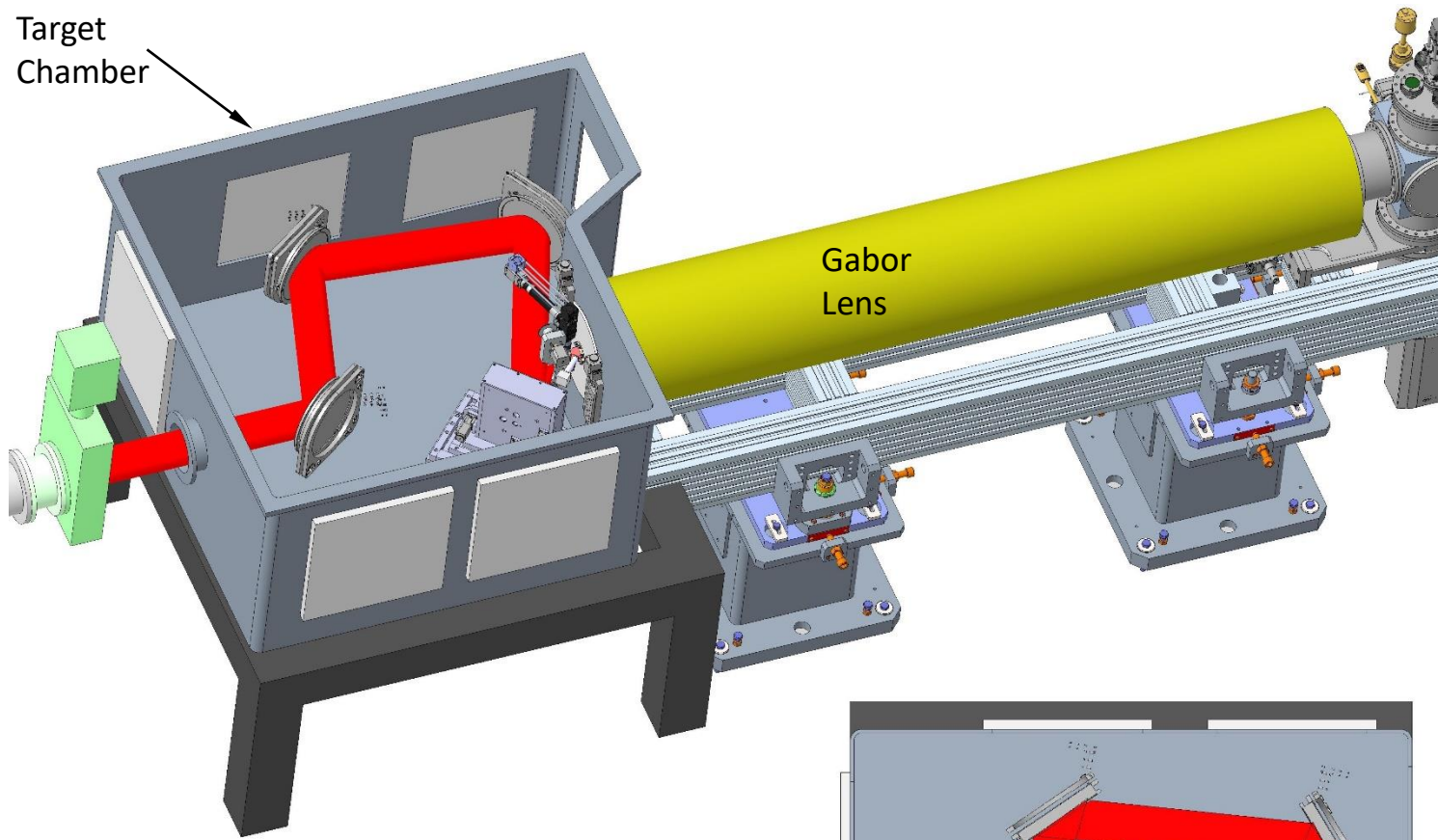


Camera and mirror

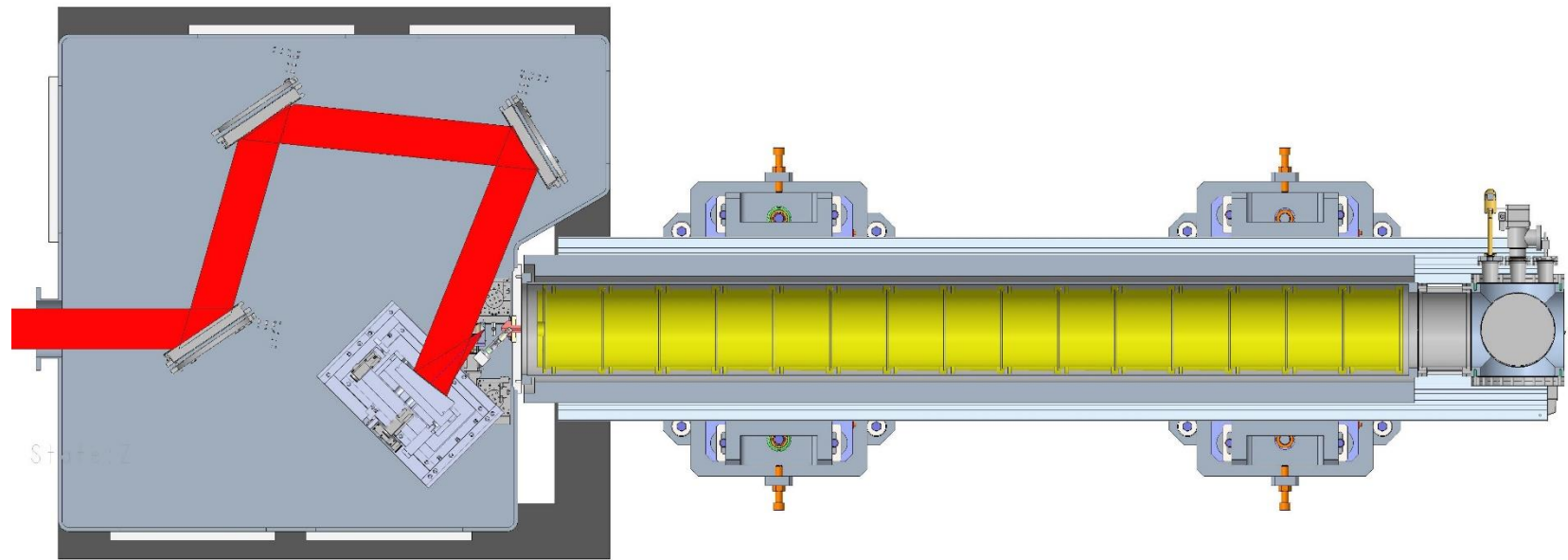


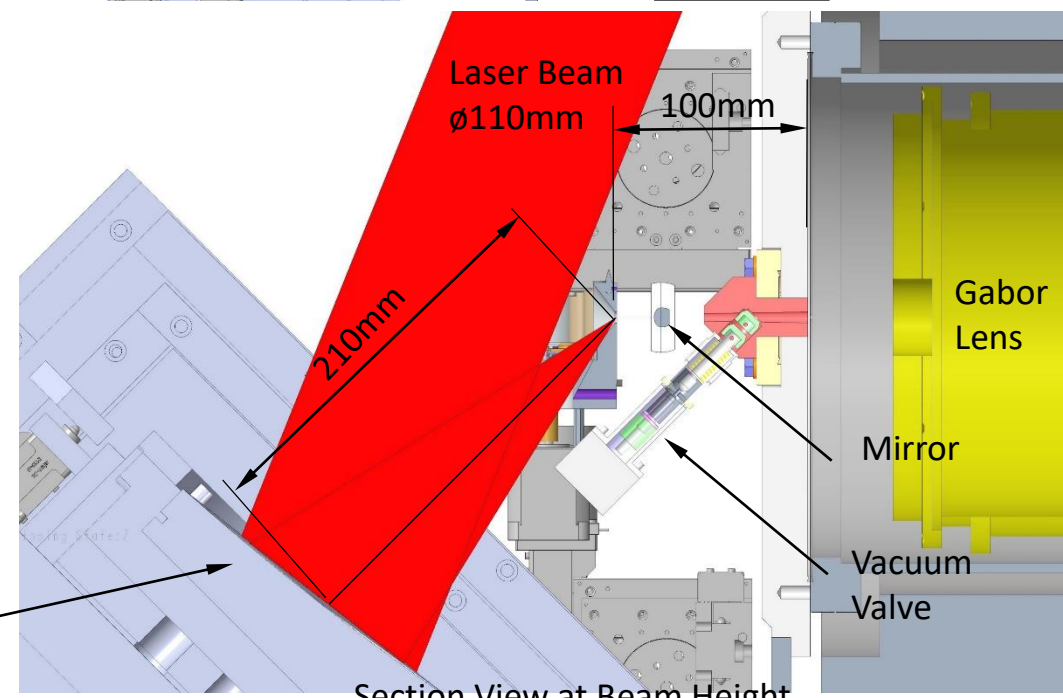
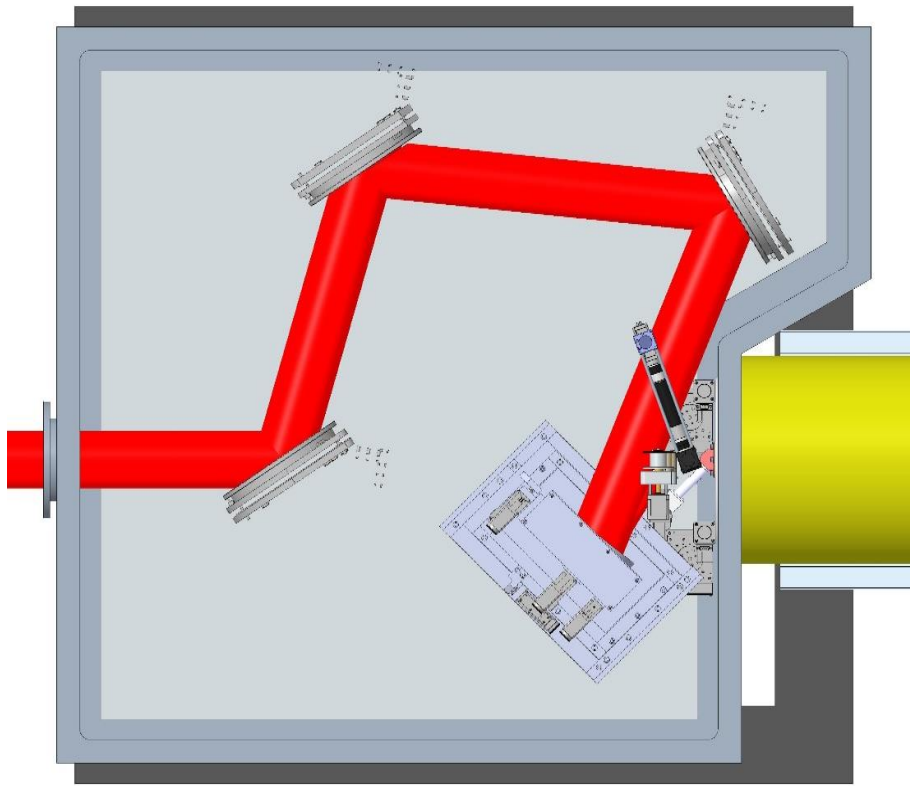
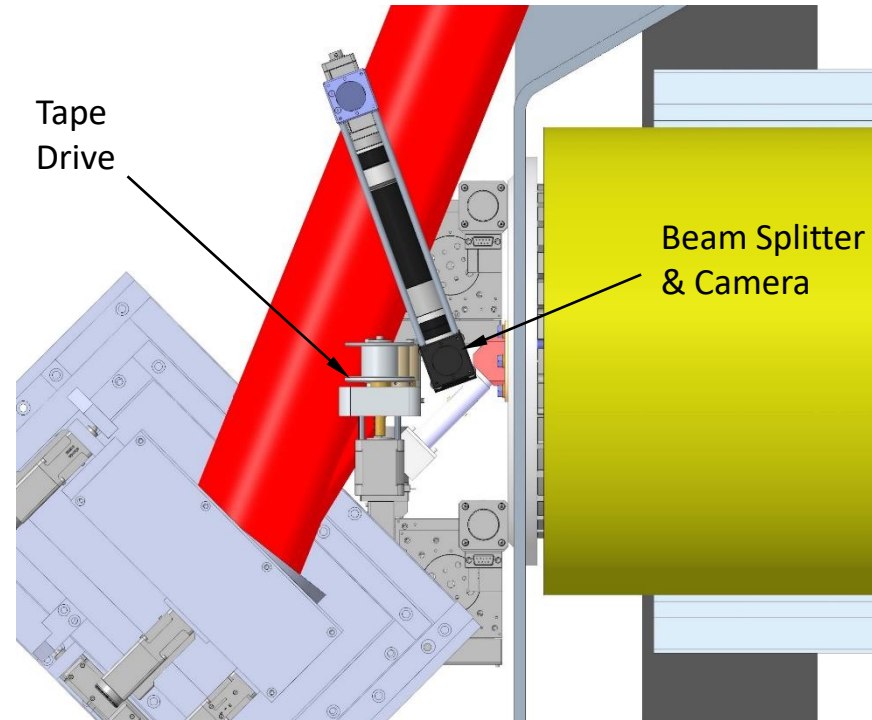
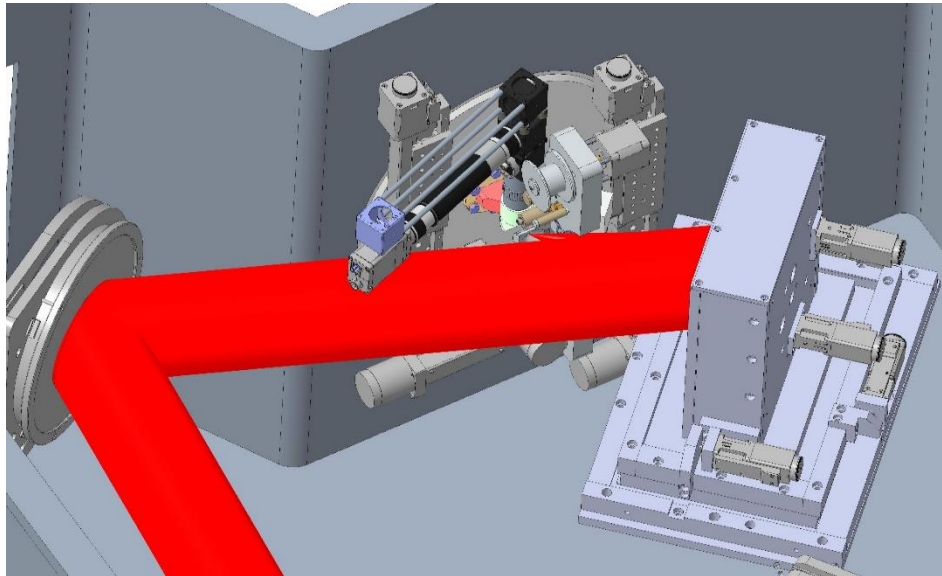


Target Chamber



LhARA Target Chamber and Gabor Lens



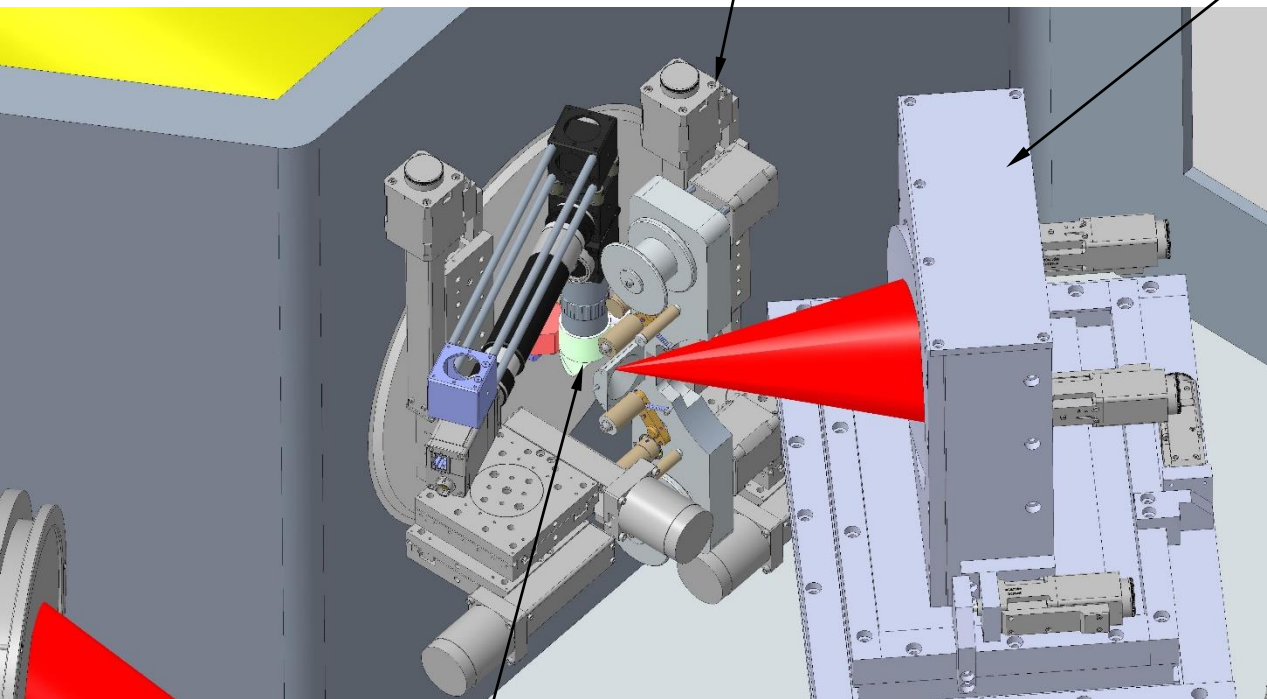


OAP mirror (same as SCAPA)

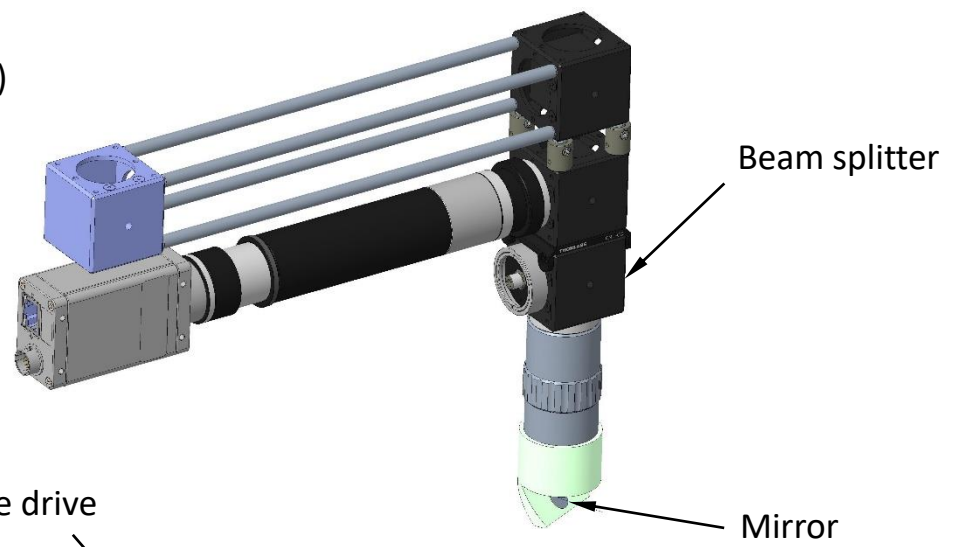
Section View at Beam Height



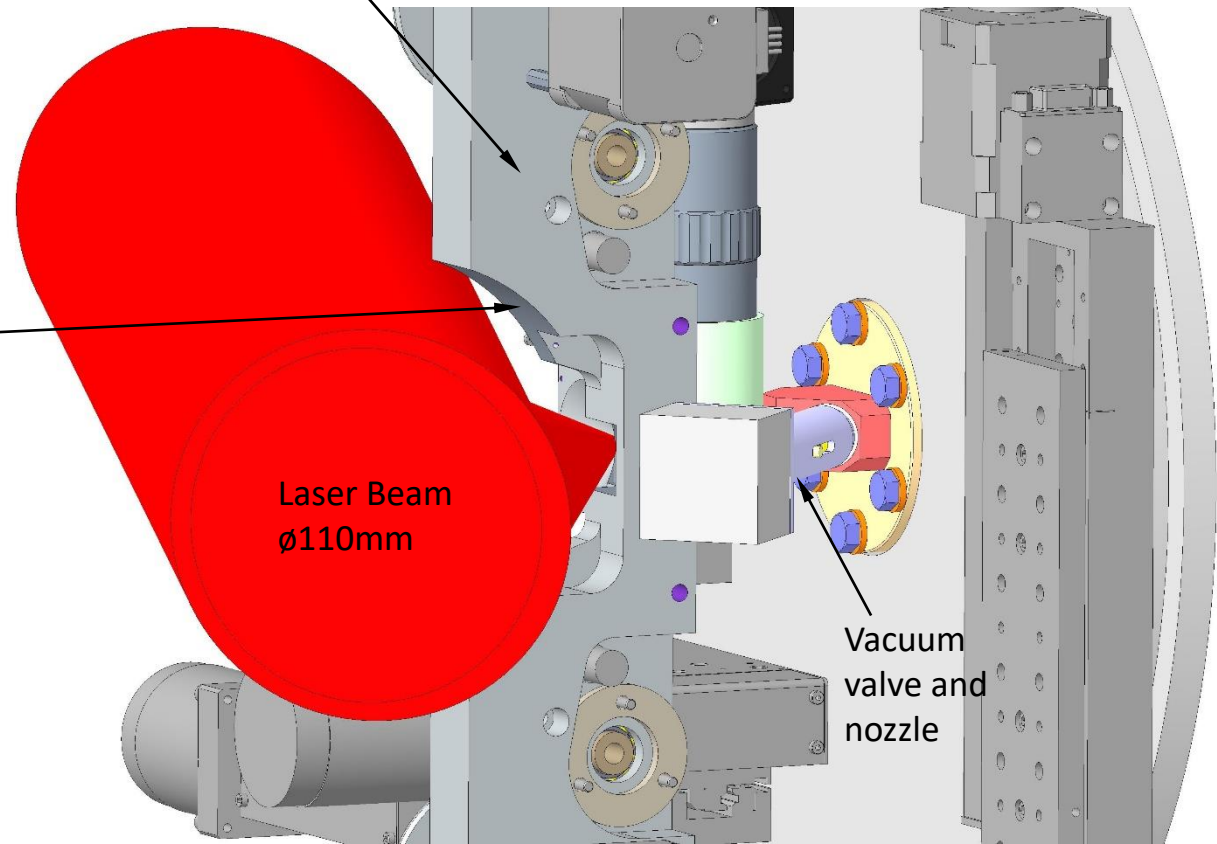
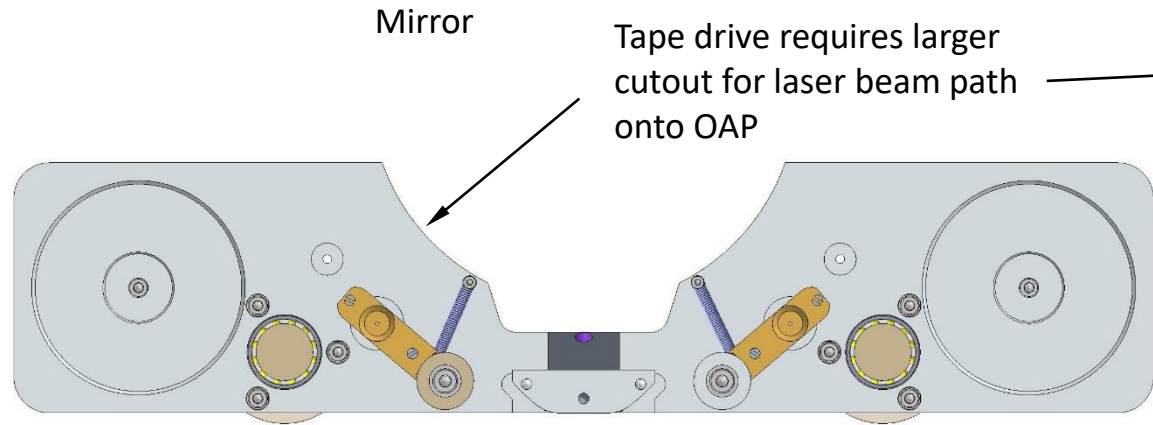
# Target Chamber



OAP mirror  
(same as SCAPA)



Tape drive



# Vacuum Valve and Nozzle

