



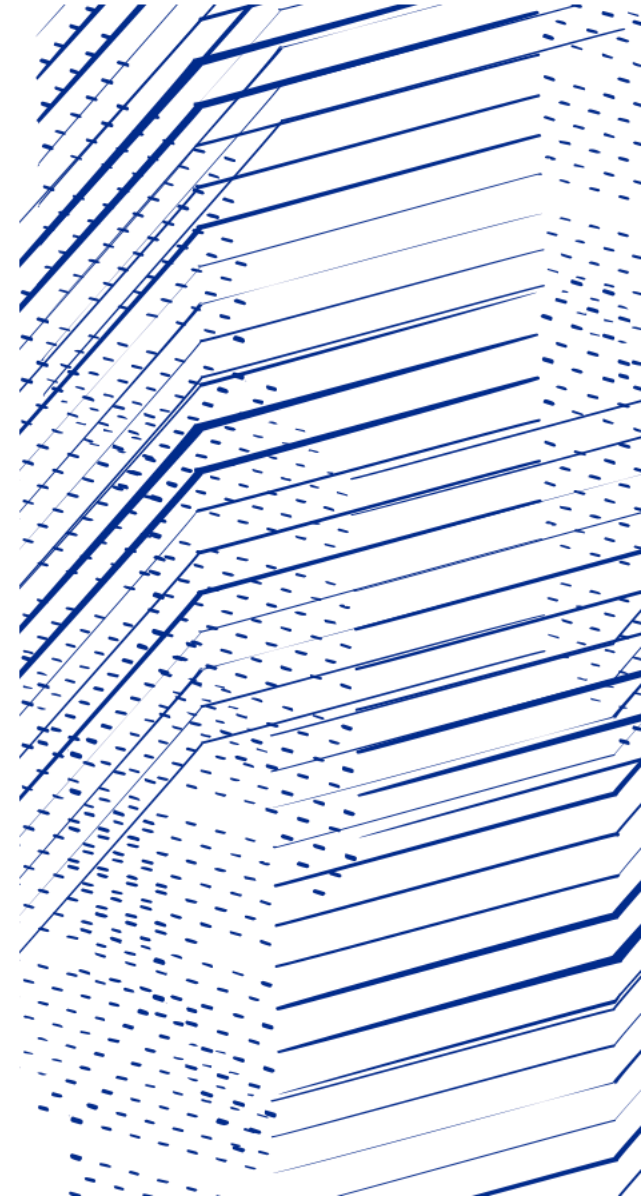
Science and  
Technology  
Facilities Council

# ITRF Project

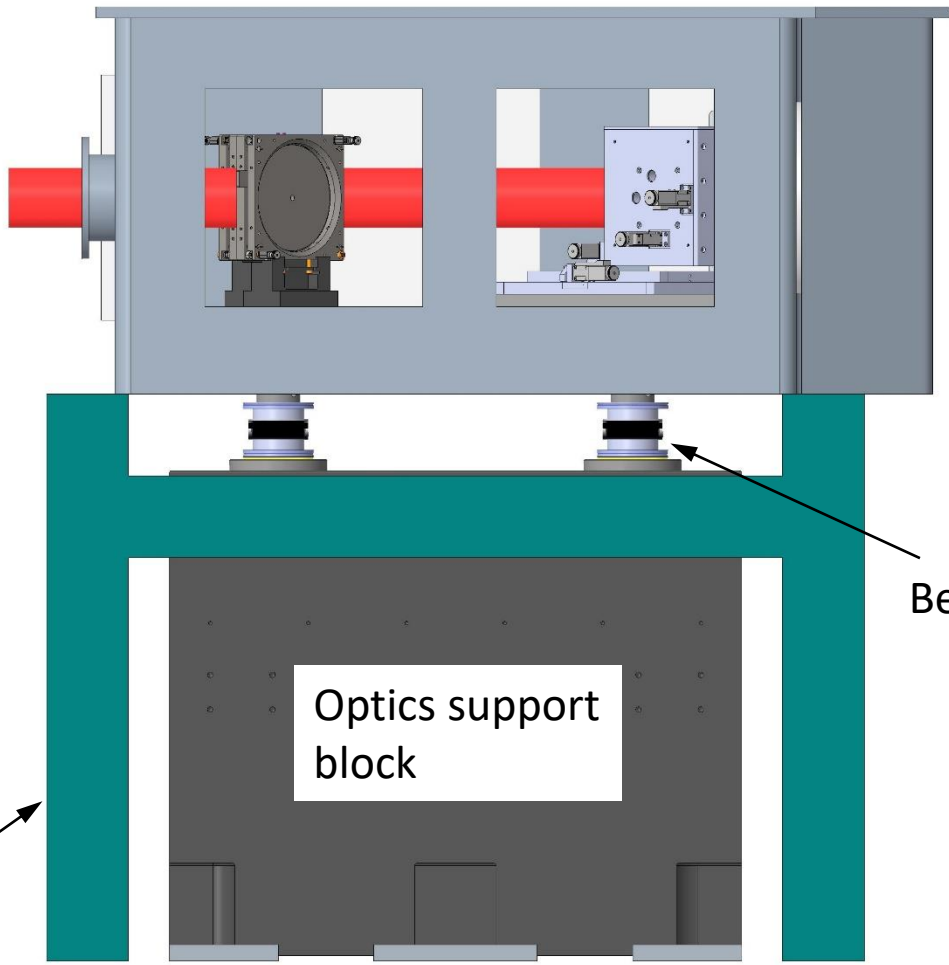
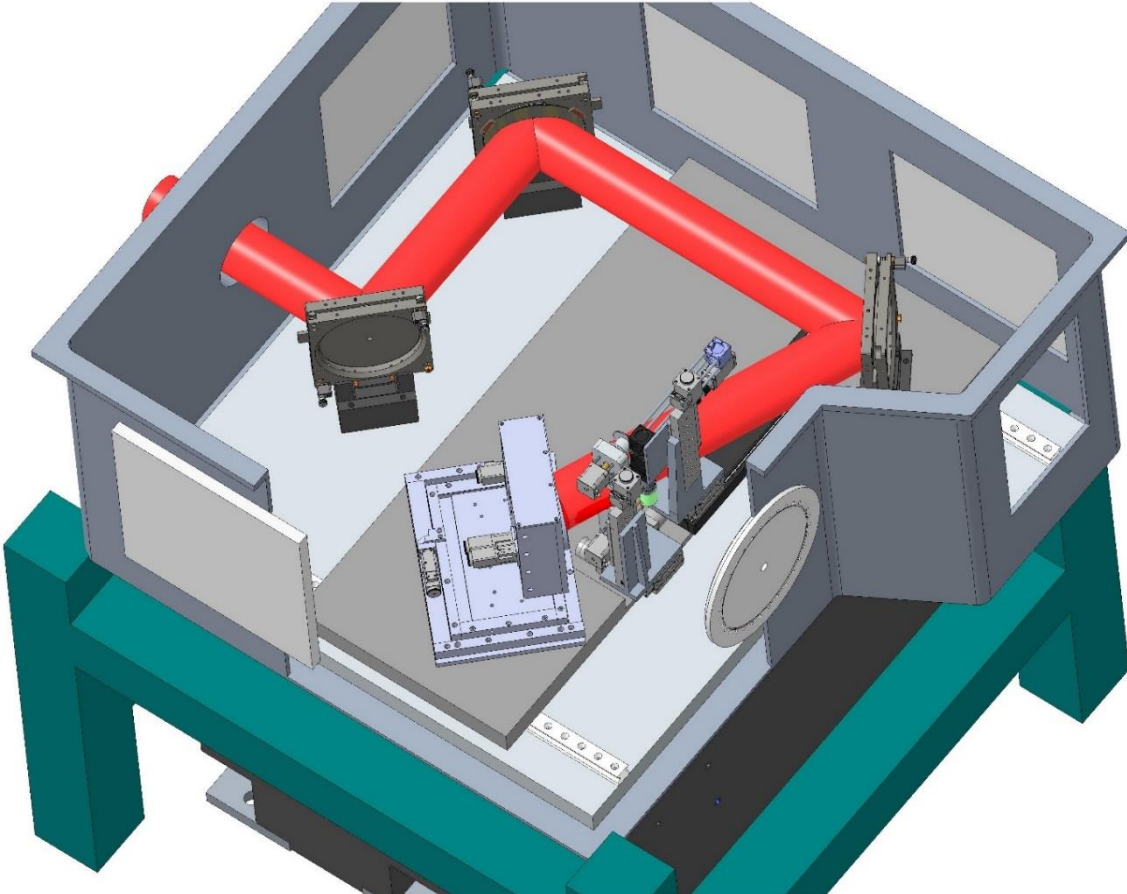
**Mechanical Engineering Design**

Target Chamber - Gabor Lens Positions - FETS FFA Chamber

Clive Hill  
12/07/23



# Target Chamber

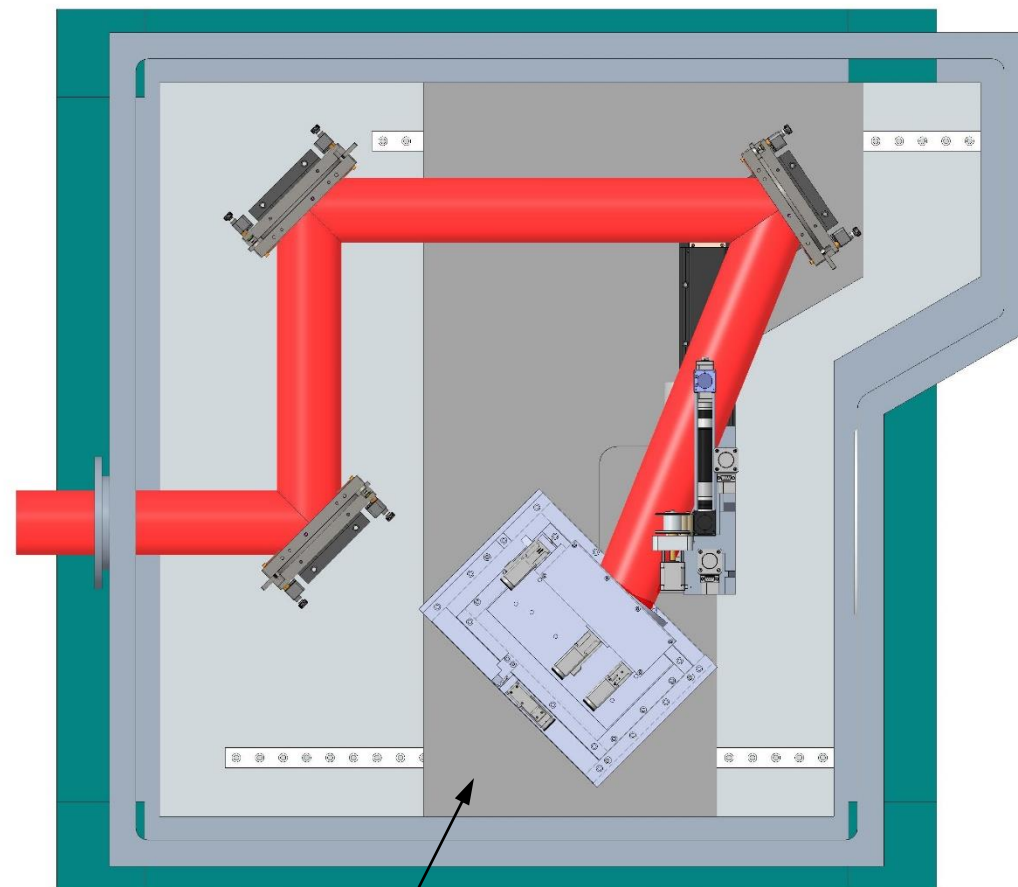
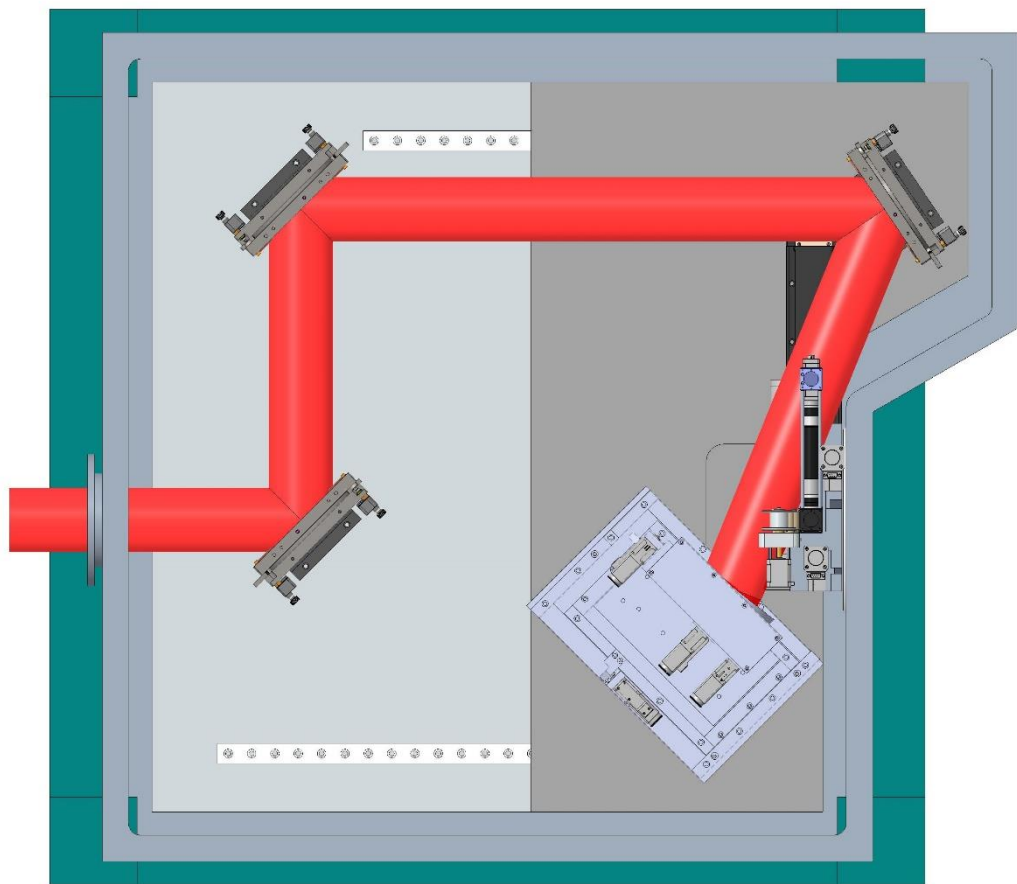


Bellows

Optics support block

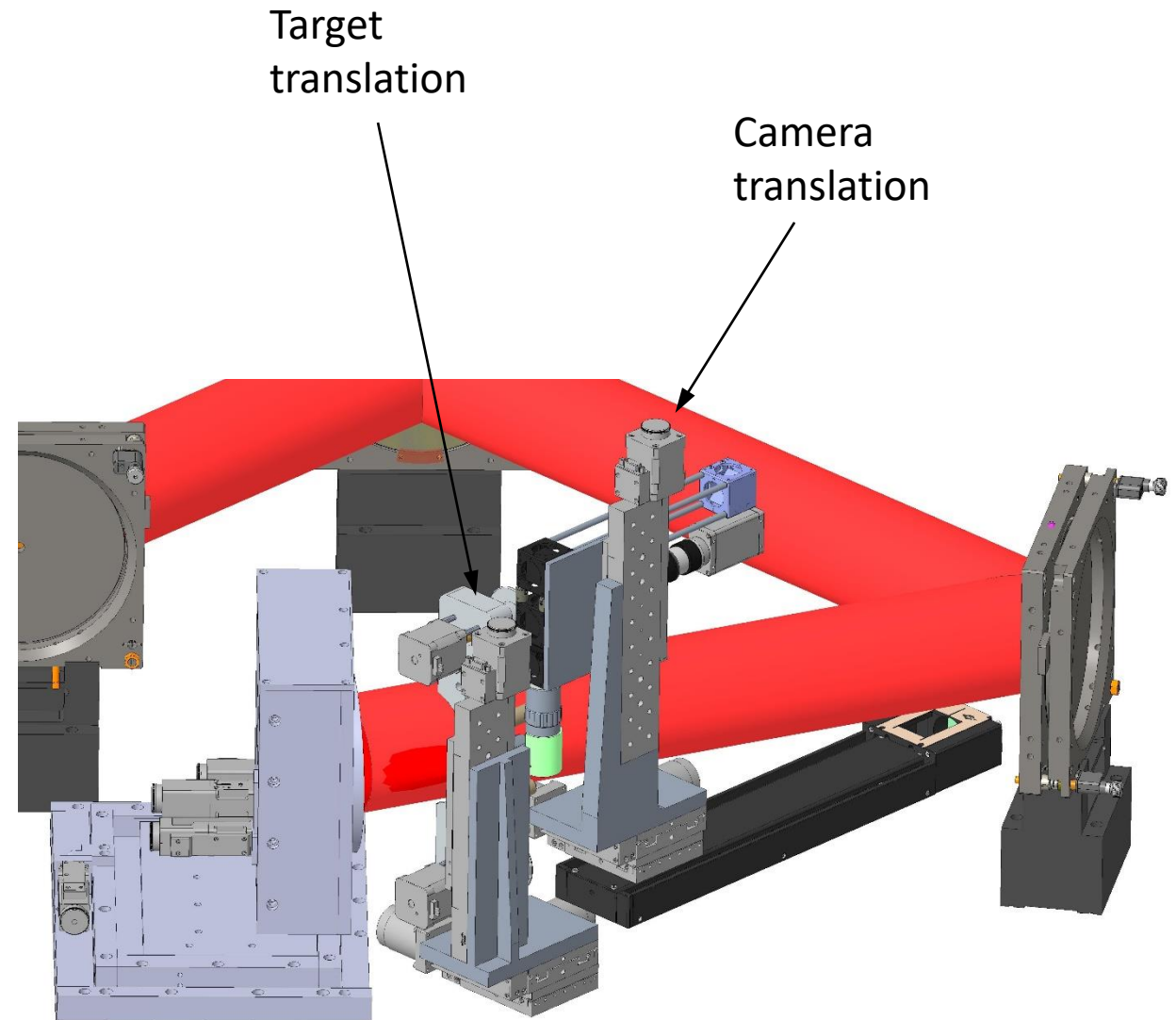
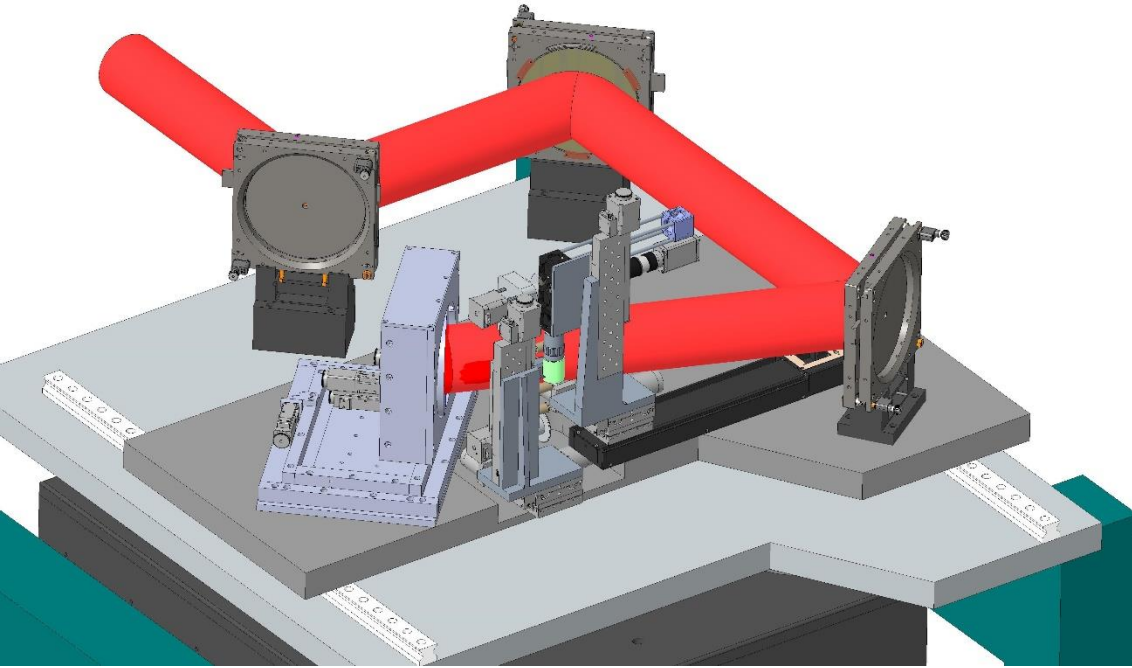
Chamber support

# Target Chamber

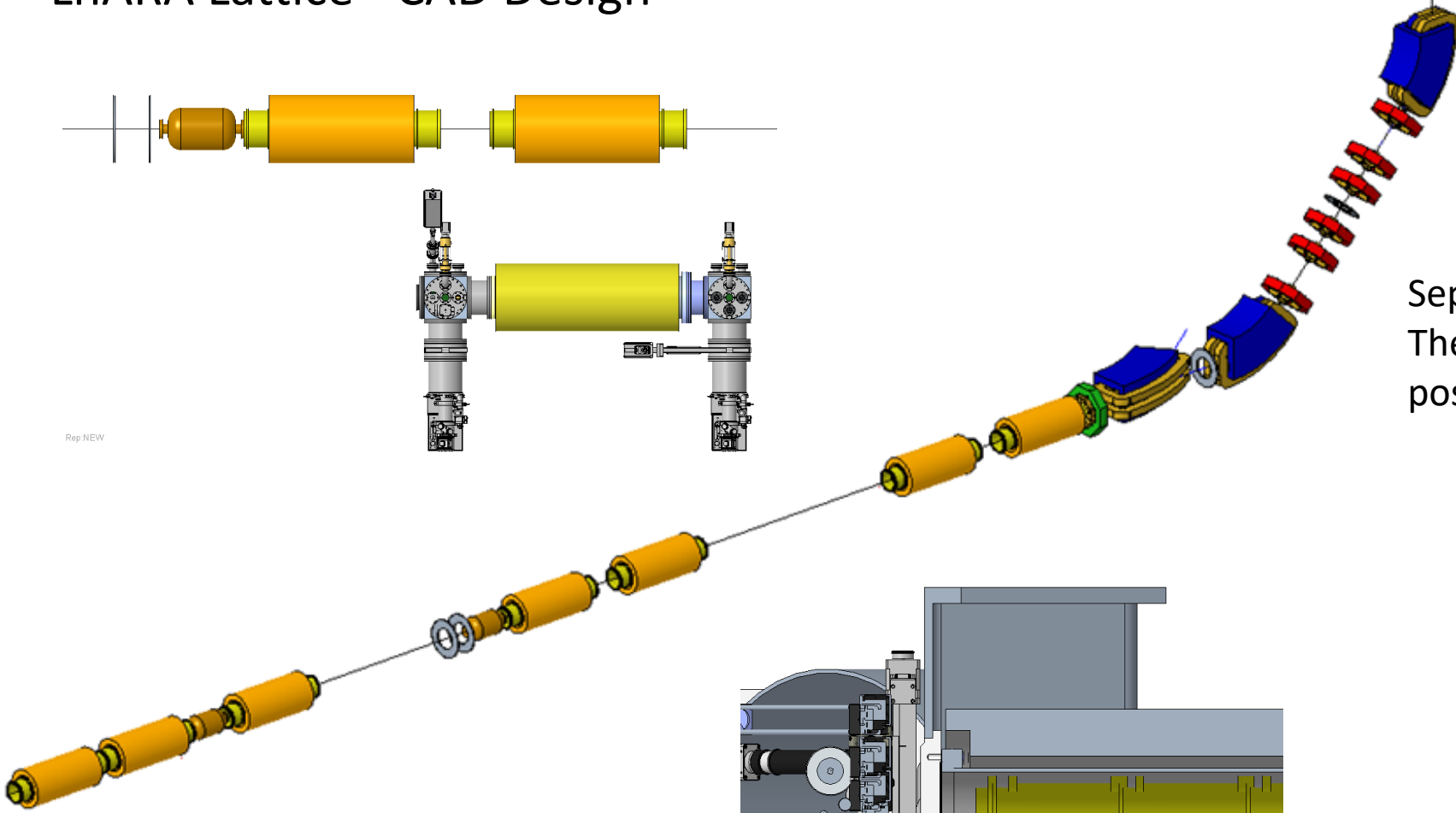


200mm translation

# Target Optics Arrangement

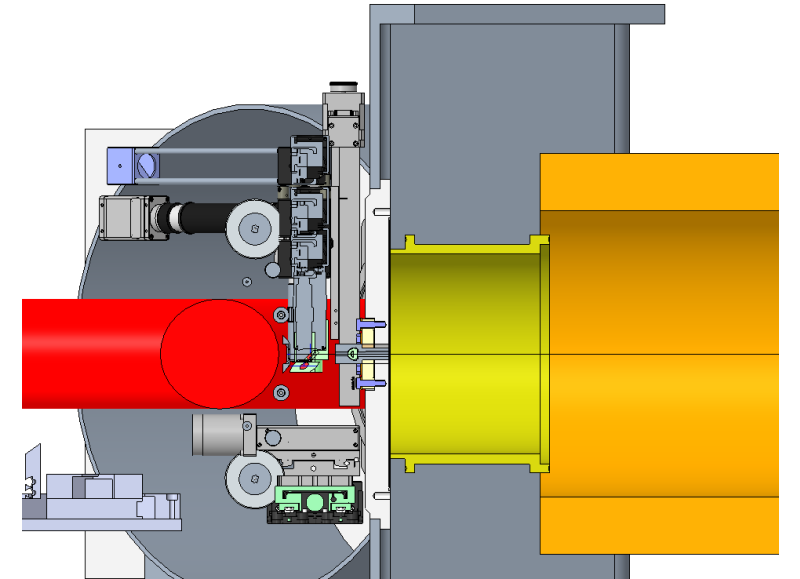
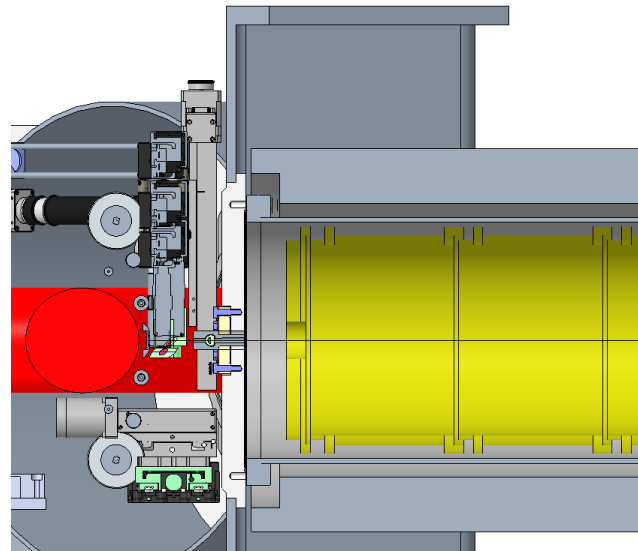


# LhARA Lattice - CAD Design



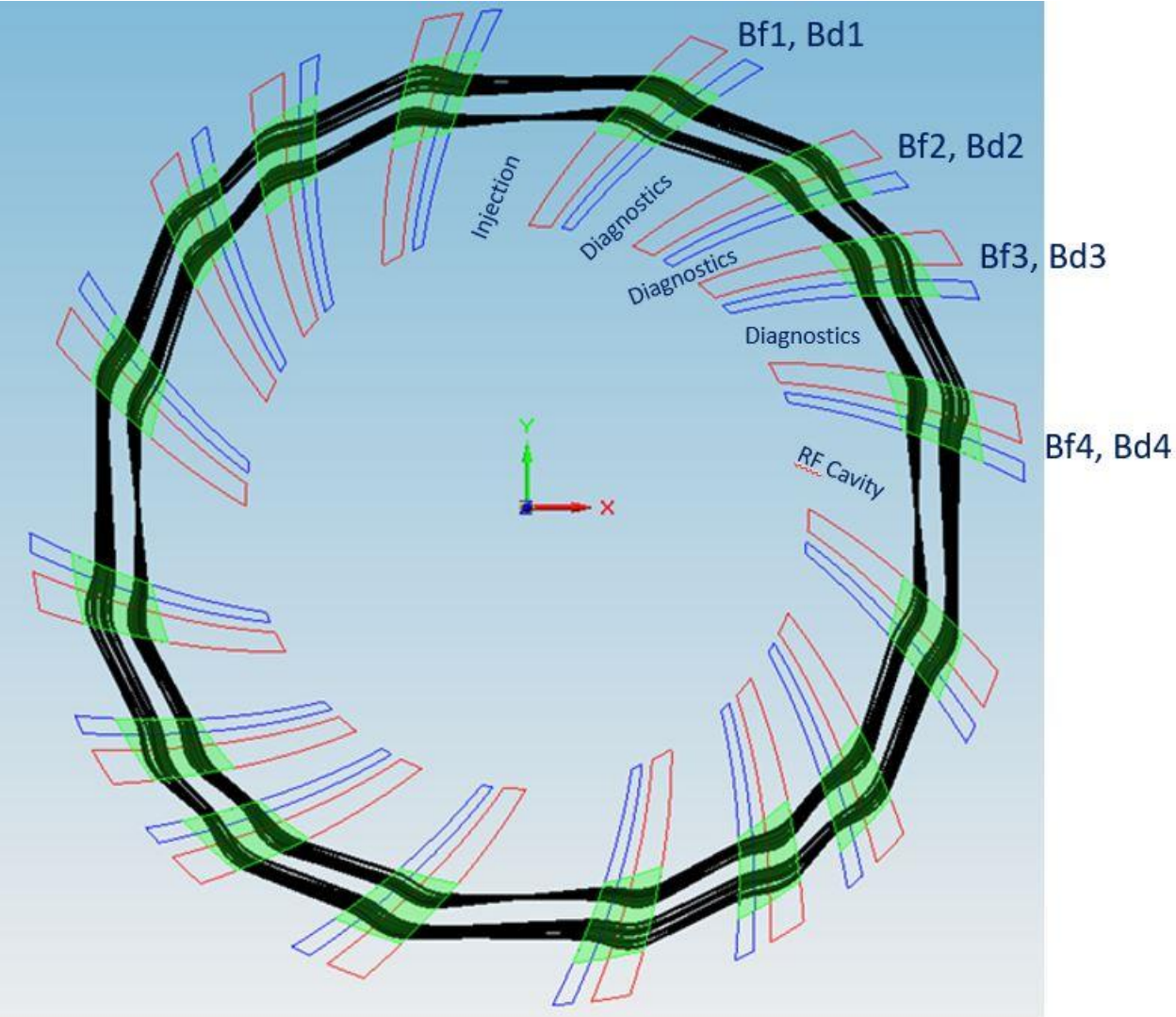
Rep:NEW

Separate discussion with Will and Neil.  
The lattice spreadsheet for the Gabor lens  
positions are now understood!

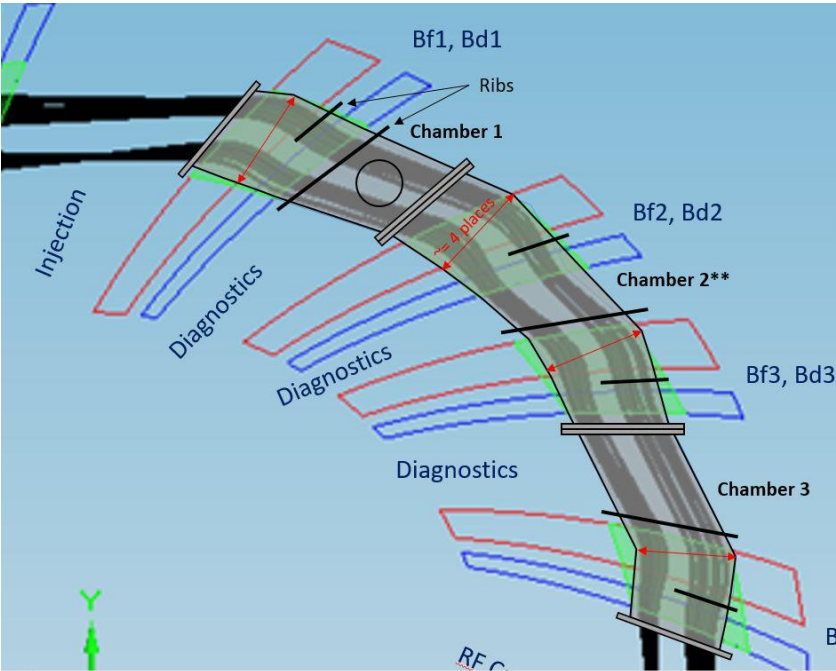




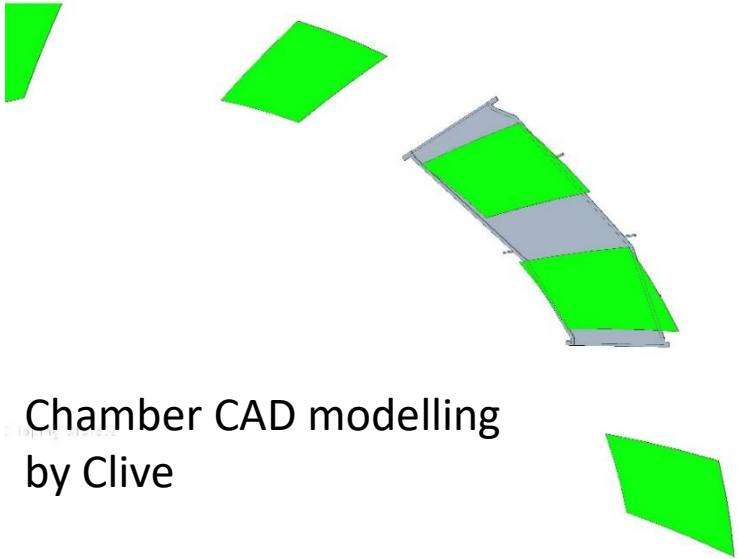
# FFA Chamber Design



From Shinji

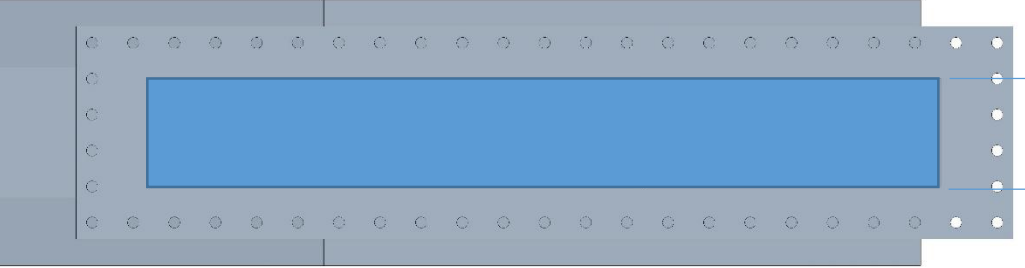
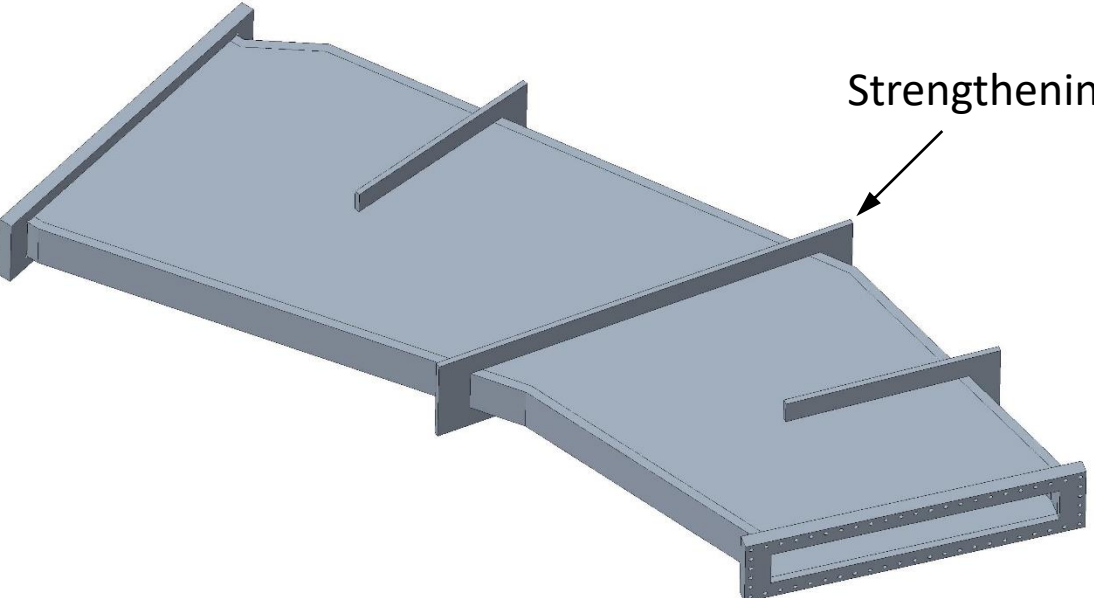


From Neil

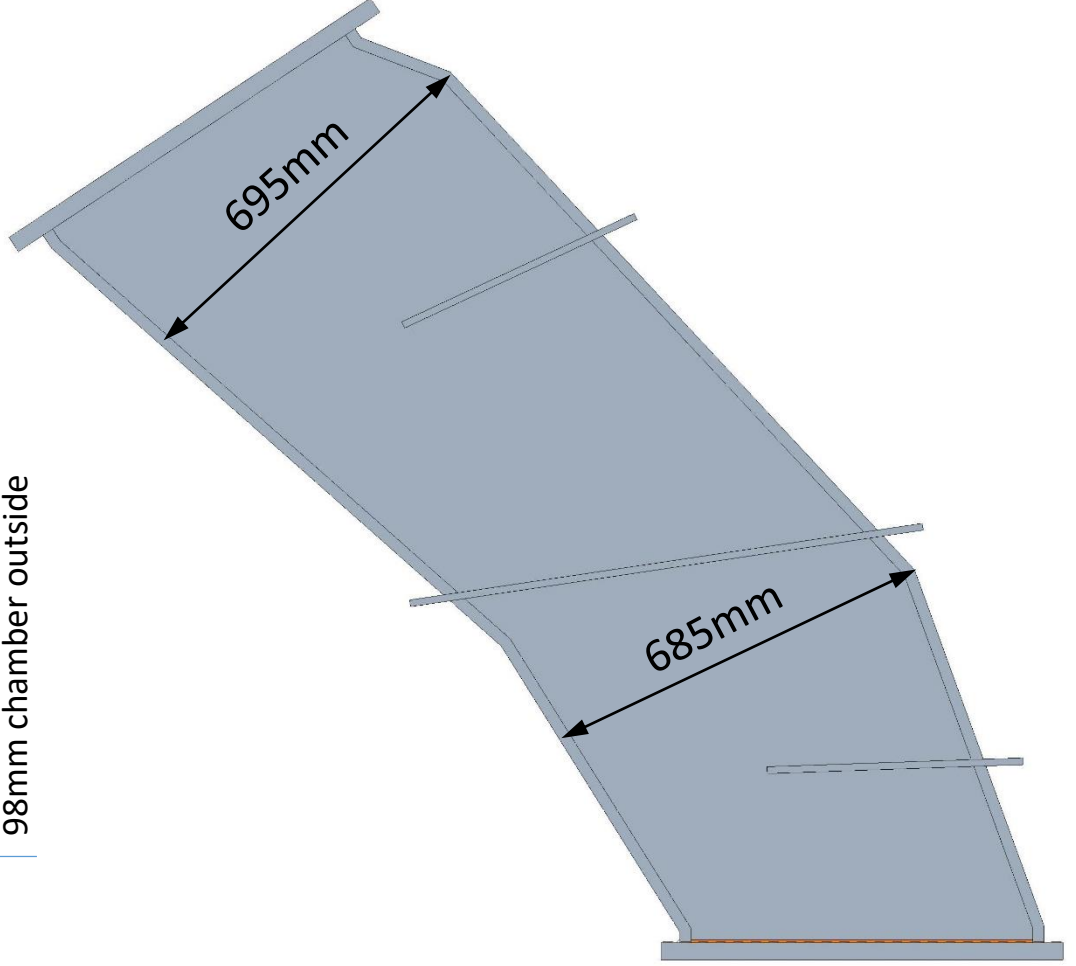


Chamber CAD modelling by Clive

# FFA Chamber Design



View on Arrow A



# FFA Chamber Design – Bellows ideas?



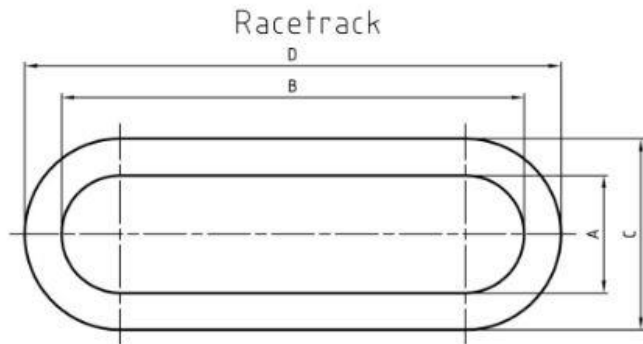
Membranbälge  
Edge Welded Bellows

- Home
- Products
- about MEWASA
- Contact
- Request
- Downloads

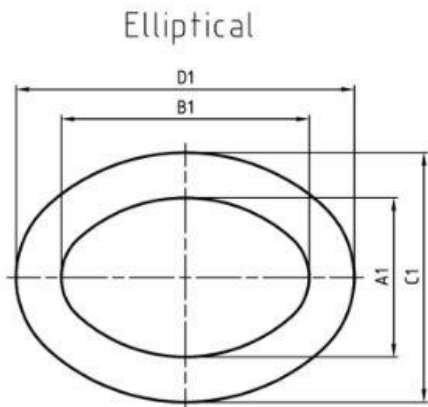
## Edge Welded Bellows Non Circular

For special applications, for example as a handling system in the smallest possible vacuum space, non-circular diaphragm bellows are often used. Mewasa AG already offers you a larger selection of non-circular diaphragm bellows profiles made of 1.4404 (316L).

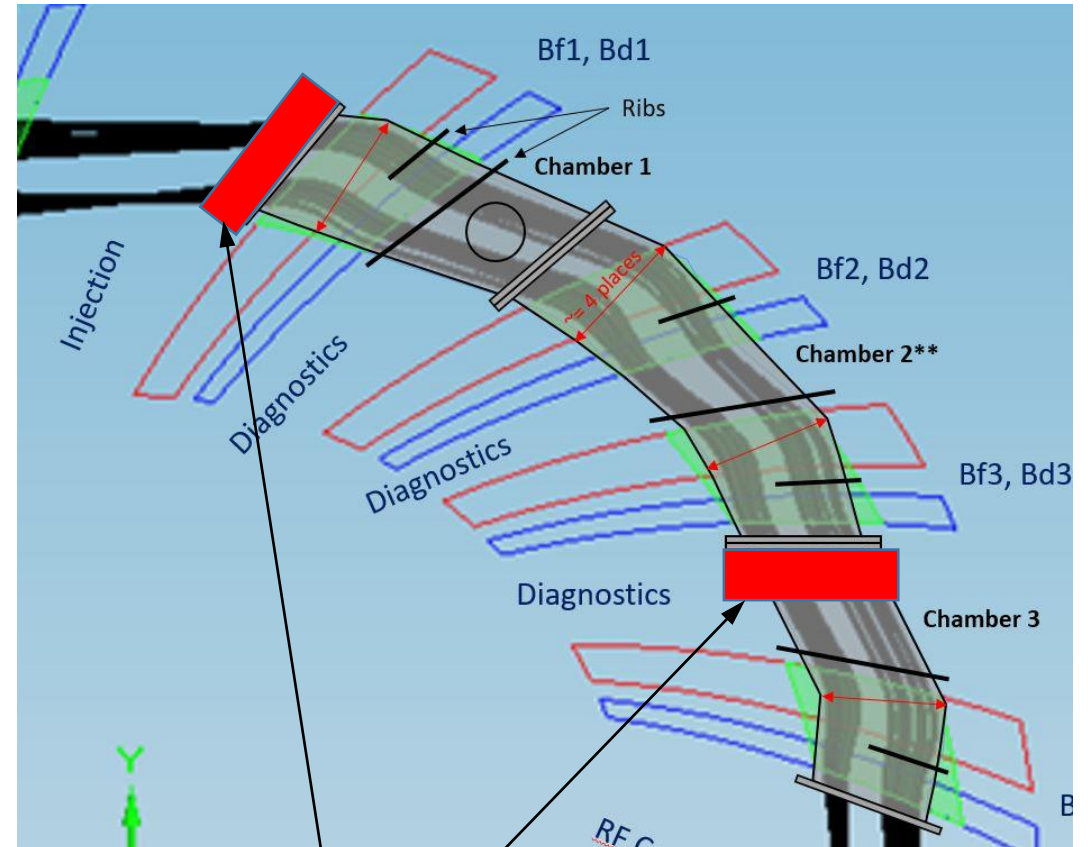
Thanks to our many years of experience, you also benefit from the possibility of realizing a new development specially designed for your requirements together with our R&D department.



Typ	A	B	C	D
1	24	42	34	52
2	28	130	48	150
3	30	194	50	214
4	40	130	60	150
5	62.3	220.8	90.3	248.8
6	75.5	158.2	103.5	186.2
7	75.6	235	103.6	263
8	92	318	120	346
9	70	372	98	400
10	160	1200	220	1260
11	320	1360	380	1420
12	80.4	149.7	98.4	167.8



Typ	A1	B1	C1	D1
20	66.7	117.5	104.7	155.5



Bellows ??