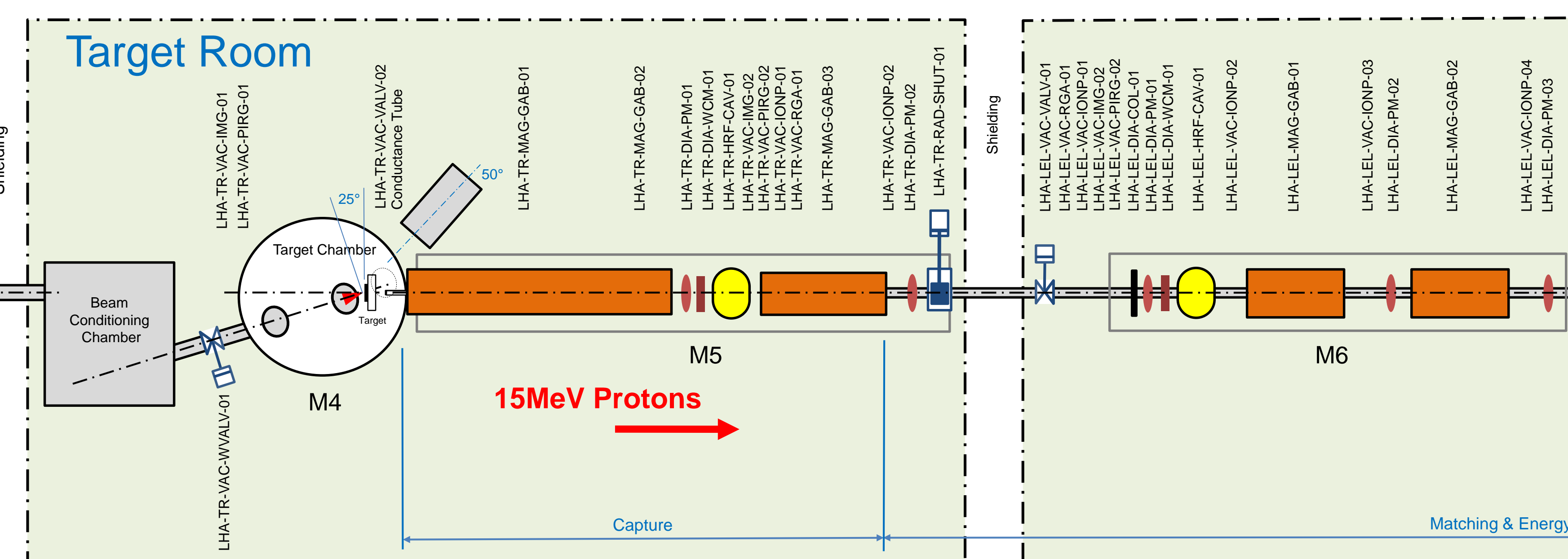
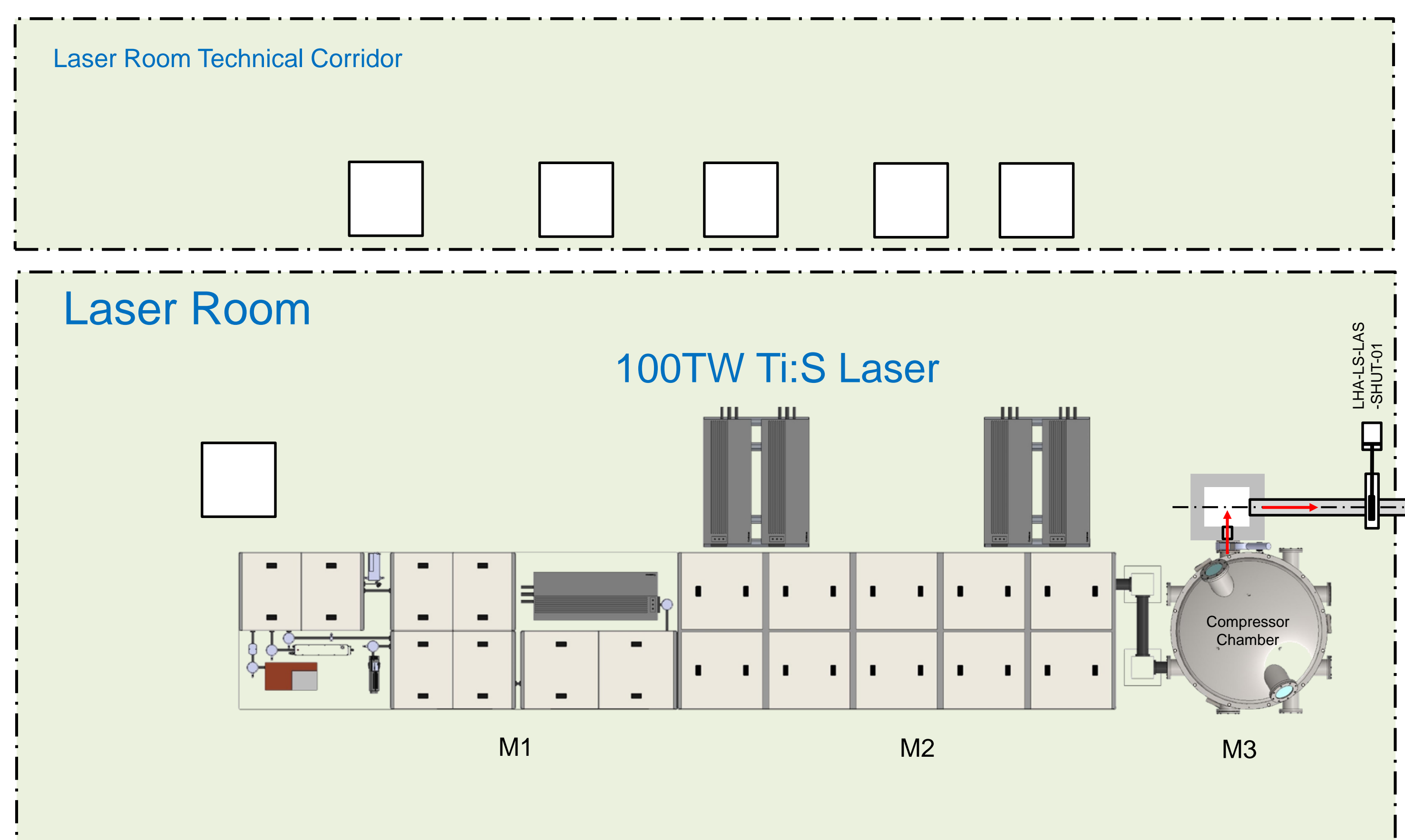
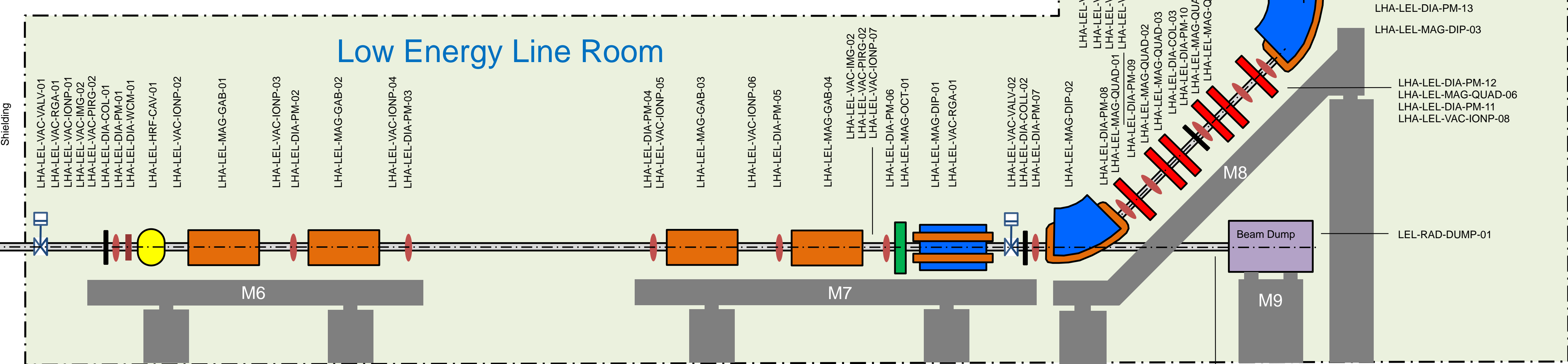
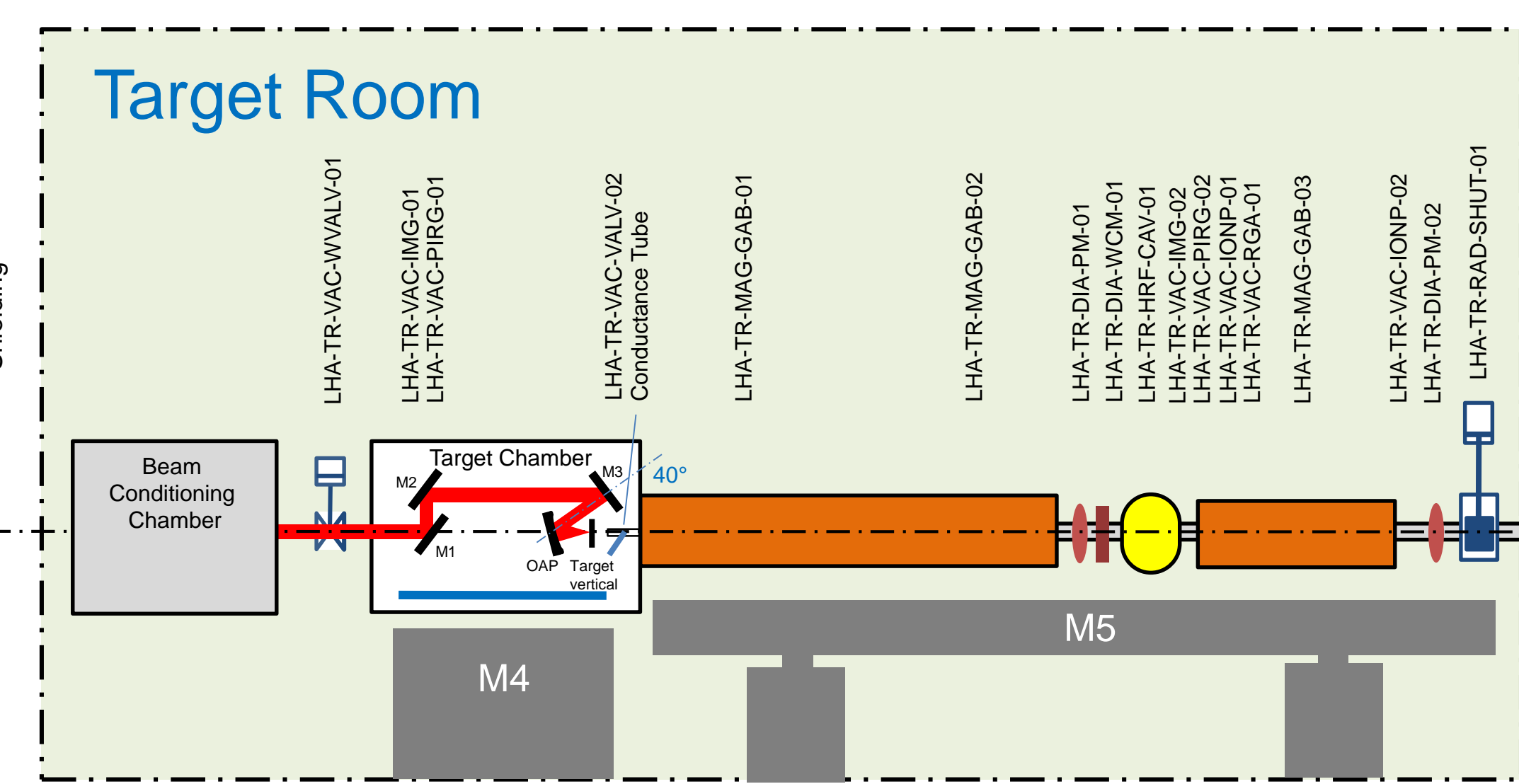
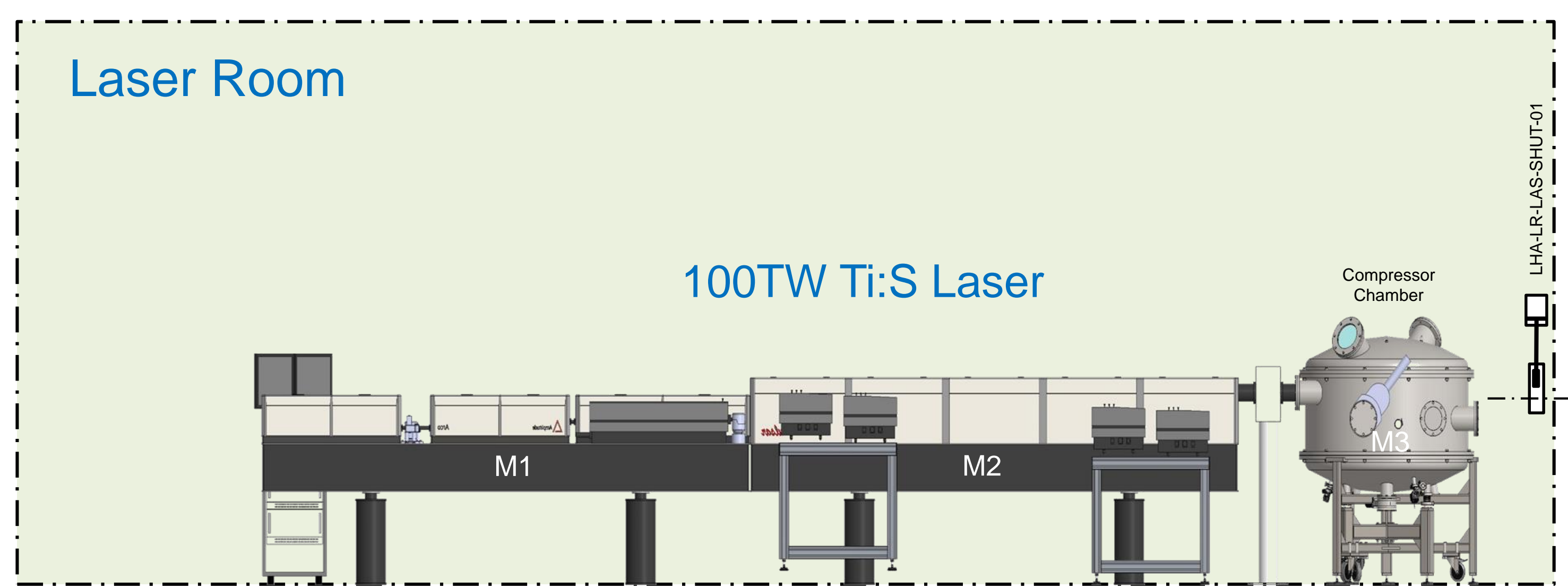


↑
Arrow Z



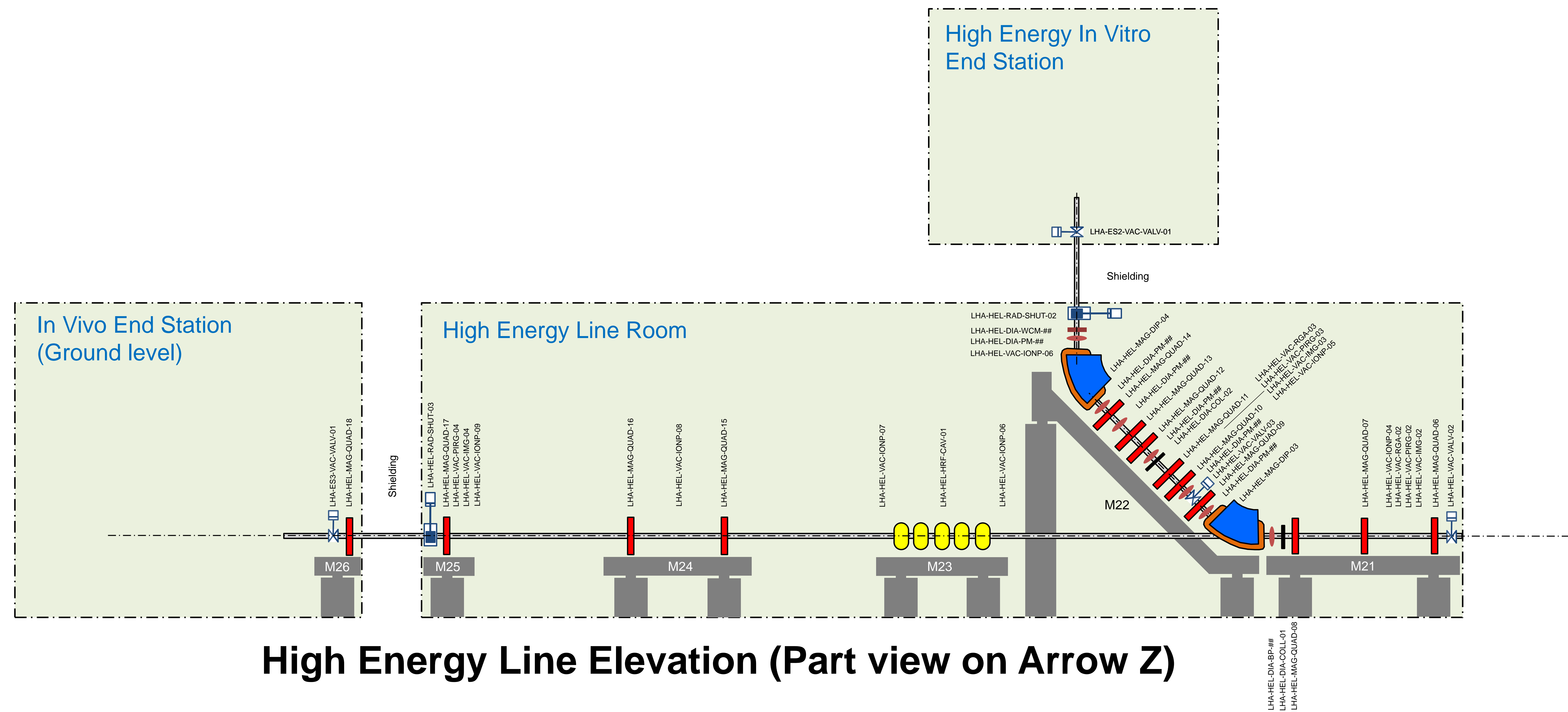
↑
Arrow Y

Plan View



Low Energy Line Elevation (View on Arrow Y)

- ns (GAB)
- magnet (DIP)
- le Magnet (QUAD)
- Magnet (OCT)
- mp (DUMP)
- y (CAV)
- (COL)
- osition Monitor (BPM)
- rofile Monitor (PM or Scintillating Screen)
- ent Monitor (WCM)
- ner (WS)
- Shutter (LUT)
- Valve (VALV)
- utter (LAS-SHUT)
- Support Modules
- ention document: LhARA-device-naming



High Energy Line Elevation (Part view on Arrow Z)

Key

	Gabor Lens (GAB)		Collimator (COL)
	Dipole Magnet (DIP)		Beam Position Monitor (BPM)
	Quadrupole Magnet (QUAD)		Beam Profile Monitor (PM) (SEM or Scintillating Screen)
	Octupole Magnet (OCT)		Wall Current Monitor (WCM)
	Beam Dump (DUMP)		Wire Scanner (WS)
	RF Cavity (CAV)		Radiation Shutter (RAD-SHUT)
			Vacuum Valve (VALV)
			Laser Shutter (LAS-SHUT)

M1 – M26 represents Support Modules
 Device naming convention document: 1272-ctrl-pt-0001-v0.2-LhARA-device-naming