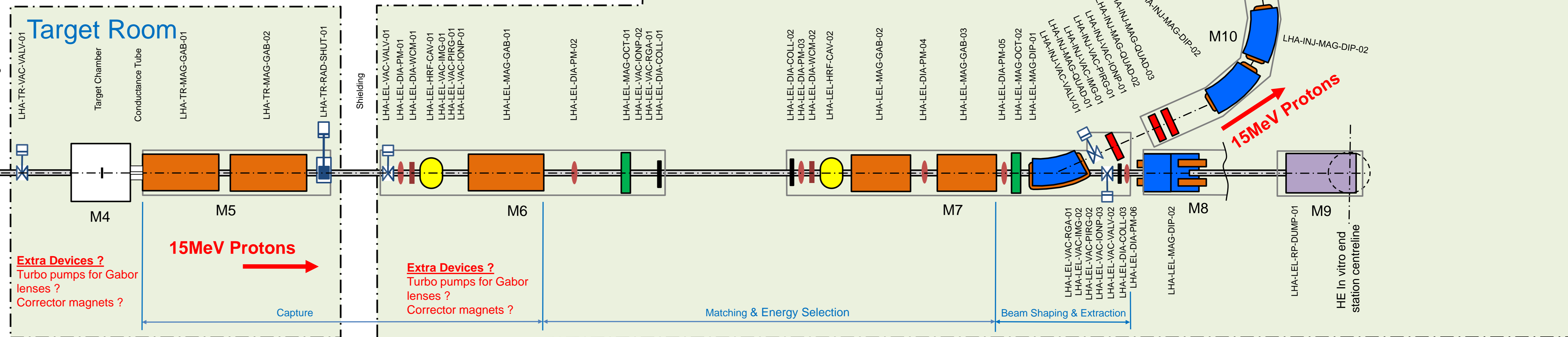
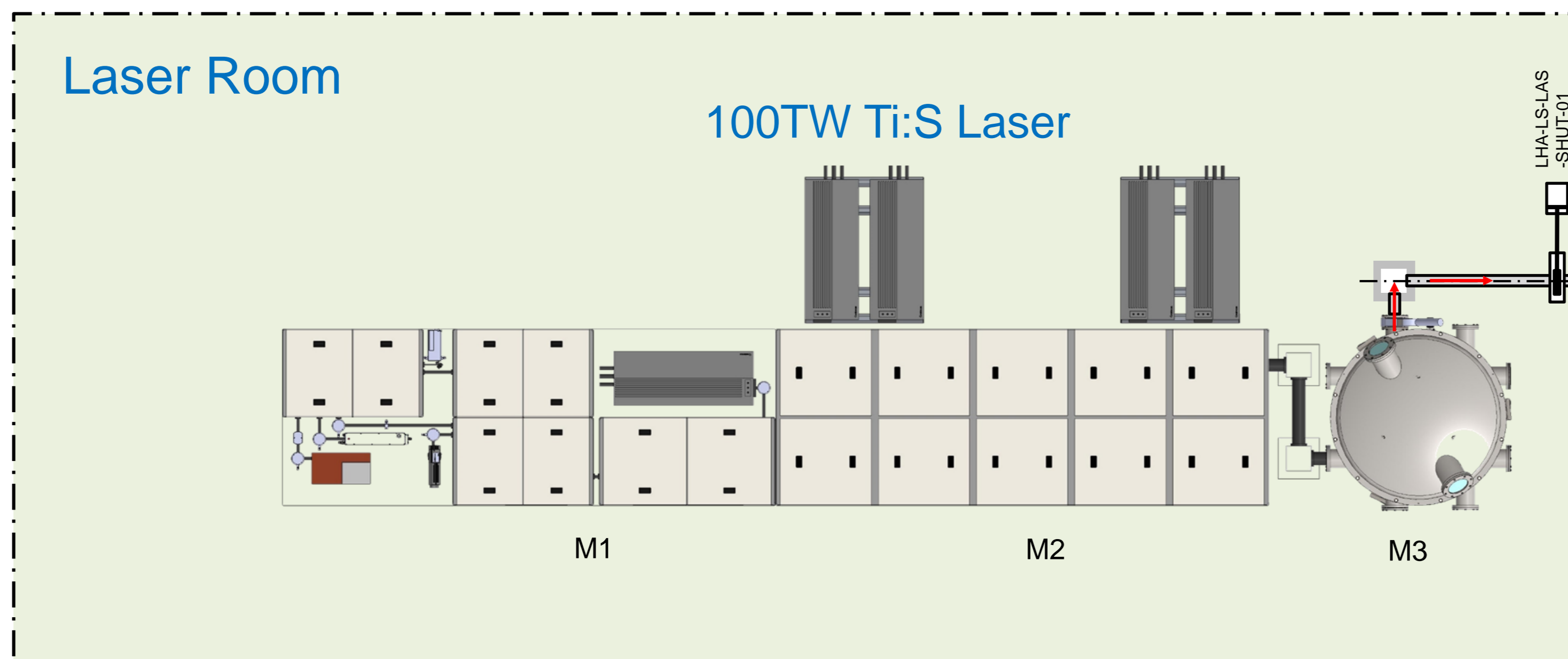


Part View on Arrow Z

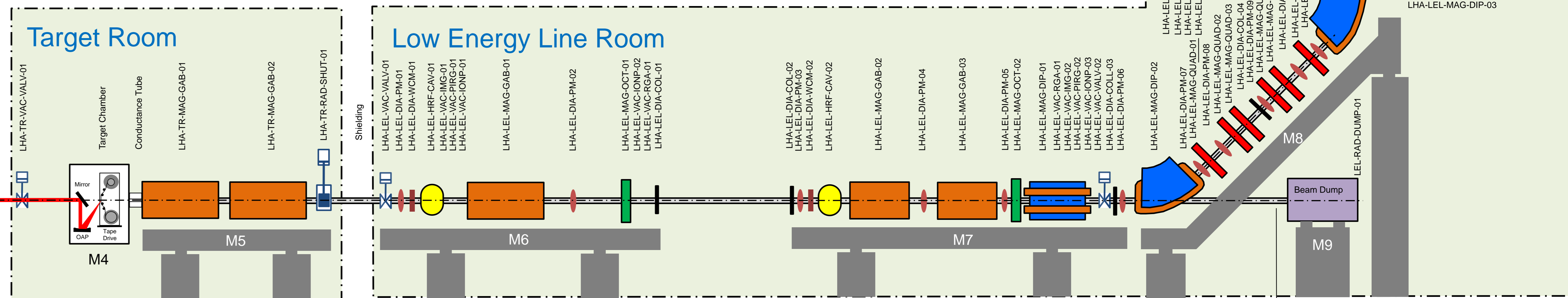
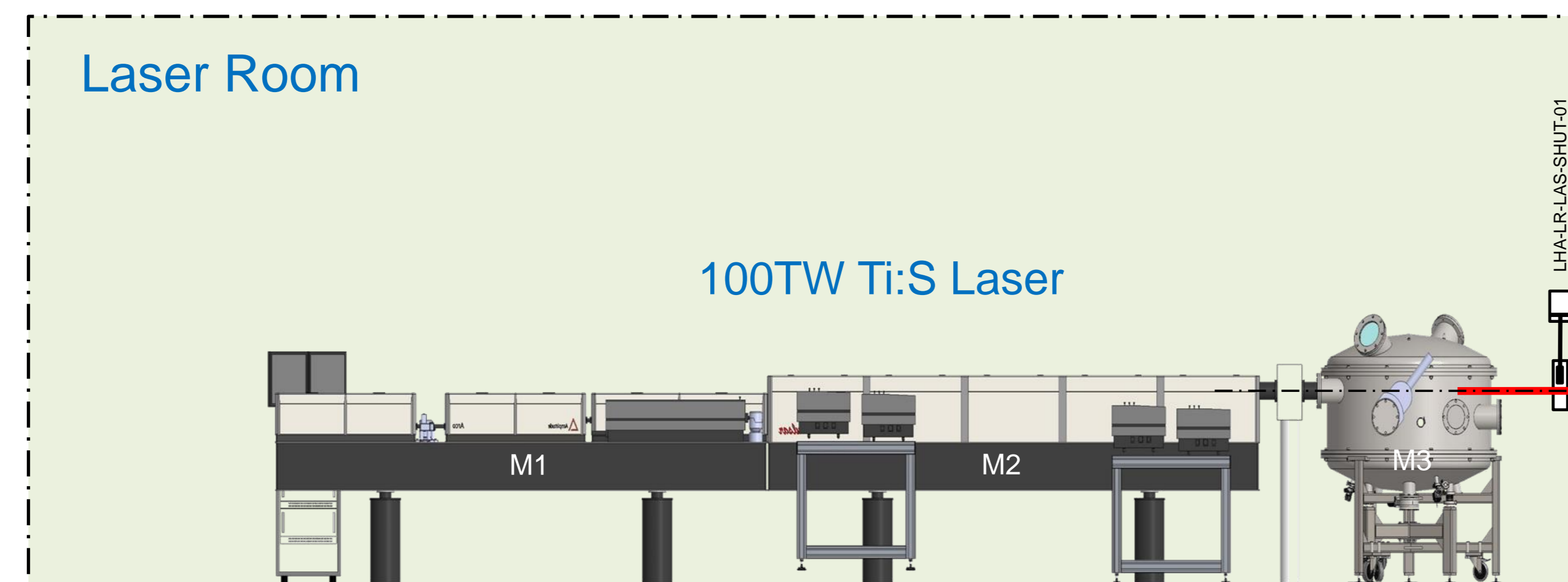


Part View on Arrow Y

Plan View

Key

- Gabor Lens (GAB)
- Dipole Magnet (DIP)
- Quadrupole Magnet (QUAD)
- Octupole Magnet (OCT)
- Beam Dump (DUMP)
- M1 - M26 represents Support Modules
- Device naming convention document: 1272-ctrl-rpt-0001-v0.2-LHARA-device-naming
- Collimator (COL)
- Beam Position Monitor (BPM)
- Beam Profile Monitor (PM) (SEM or Scintillating Screen)
- Wall Current Monitor (WCM)
- Wire Scanner (WS)
- Radiation Shutter (RAD-SHUT)
- Vacuum Valve (VALV)
- Laser Shutter (LAS-SHUT)



Part View on Arrow Y

